

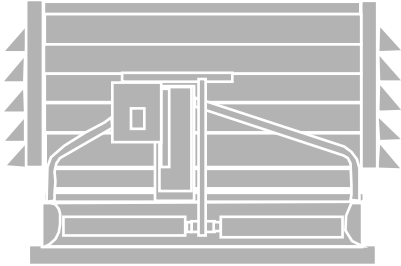
PROPELLER ROOF



COOK

Propeller Roof

Propeller Roof Fans



	Page
Introduction	2
Propeller Information	3
Standard Construction Features	4
Specification and Dimension Data	
AQD (Spun Aluminum Exhaust – Direct Drive)	5
AQB (Spun Aluminum Exhaust – Belt Drive)	6
SEP (Spun Aluminum Exhaust and Supply)	7
ETE (Tiered Exhaust)	8
ETS (Tiered Filtered Supply)	9
Accessories	10
Performance Data	
AQD / AQB / SEP	11
ETE / ETS	12

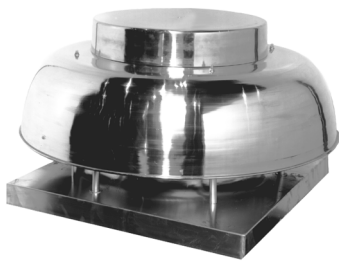
Introduction

Loren Cook Company Propeller Roof fans are designed for industrial and commercial and industrial supply or exhaust applications. The fans are offered in both spun aluminum and architectural tiered aluminum construction and offer performance ranging from 1,000 to 40,000 CFM. All units are produced in an ISO 9001 certified facility and are listed by Underwriters Laboratories (UL 705) and listed for Canada (cUL 705).



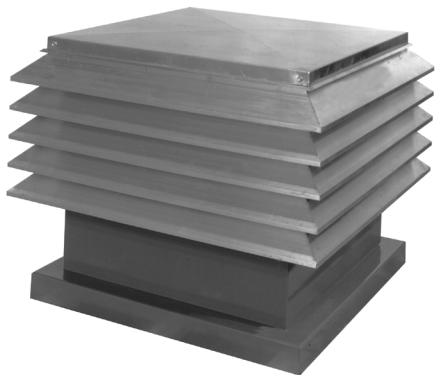
AQD/AQB

- AQD and AQB are spun aluminum units that utilize the Loren Cook “A Series” cast aluminum propeller.
- AQD is a direct drive unit available in 8 sizes from 12 to 48 inches. Performance ranges from 343 to 19,500 CFM with static pressures from 0 to 0.75 inches.
- AQB is a belt drive unit available in 5 sizes from 24 to 48 inches. Performance ranges from 1,165 to 16,700 CFM with static pressures from 0 to 0.50 inches.



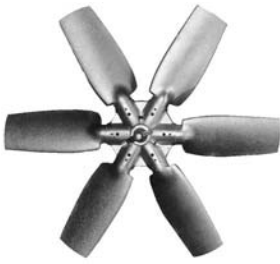
SEP

- SEP is a spun aluminum unit that utilizes the Loren Cook “A Series” cast aluminum reversible propeller.
- SEP is electrically reversible in the field.
- SEP is a belt drive unit available in 5 sizes from 24 to 48 inches. Performance ranges from 1,017 to 20,800 CFM with static pressures from 0 to 0.50 inch.



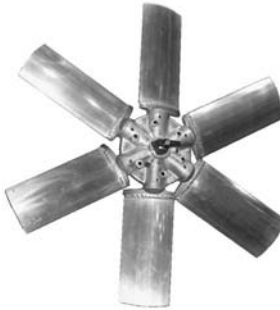
ETE/ETS

- ETE and ETS are tiered aluminum units that utilize the Loren Cook “E Series” extruded aluminum airfoil propeller.
- ETE is a belt drive exhaust unit available in 7 sizes from 24 to 60 inches. Performance ranges from 1,218 to 42,100 CFM with static pressures from 0 to 0.50 inches.
- ETS is a belt drive supply unit available in 7 sizes from 24 to 60 inches. Performance ranges from 1,096 to 37,900 CFM with static pressures from 0 to 0.50 inches.



“A Series” - Cast Aluminum Airfoil Propeller

- Designed for commercial or industrial applications where large volumes of air are required.
- Constructed with six cast aluminum airfoil blades and mounted in a cast aluminum hub.
- The optimum blade pitch for the chosen performance is determined at the factory and the blades are locked into place by a roll pin.



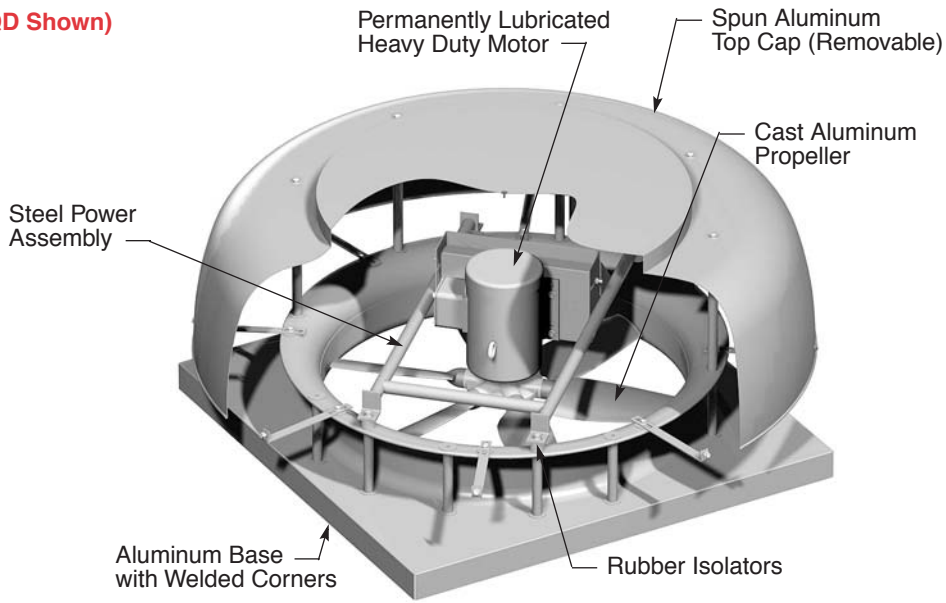
“E Series” - Extruded Aluminum Airfoil Propeller

- Designed for commercial or industrial applications where large volumes of air are required.
- Constructed with six extruded aluminum airfoil blades and mounted in a cast aluminum hub.
- The optimum blade pitch for the chosen performance is determined at the factory and the blades are locked into place by a roll pin.
- “E Series” blade has a non-overloading characteristic such as is found in a centrifugal type wheel.

Standard Construction Features

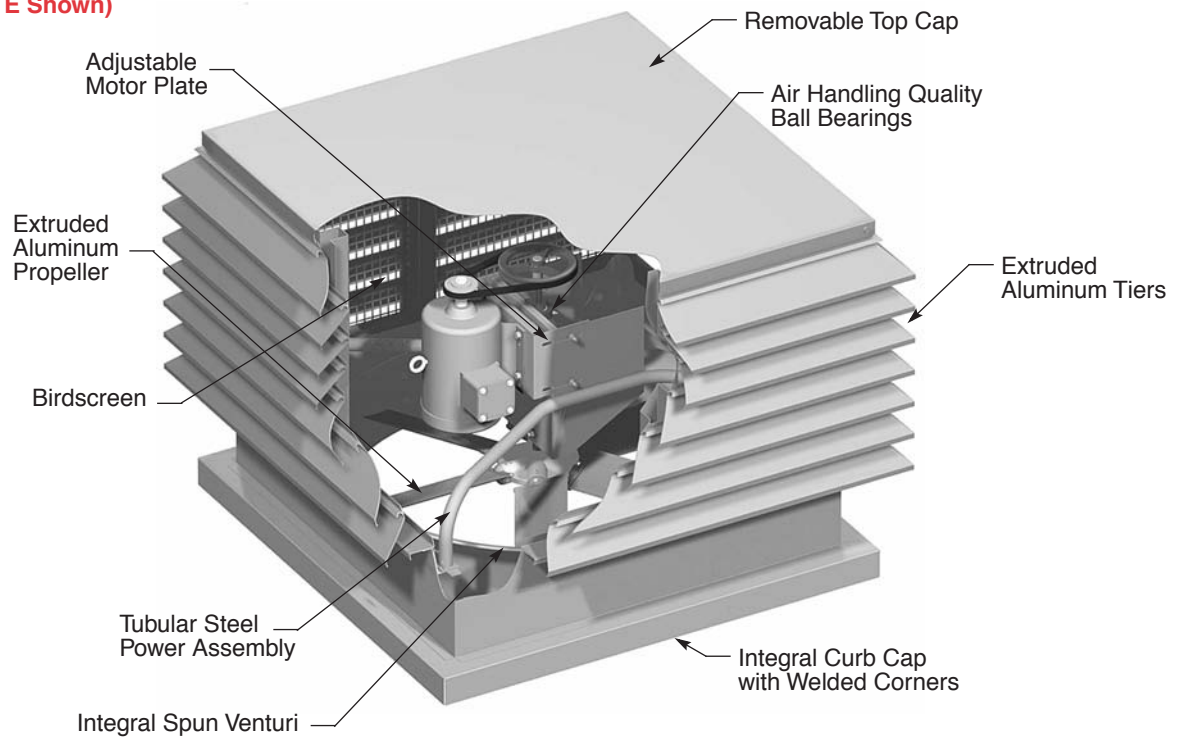
AQD/AQB/SEP

(AQD Shown)



ETE/ETS

(ETE Shown)



Description - Fan shall be a roof mounted, direct drive, cast aluminum propeller exhaust ventilator with spun aluminum top cap.

Certifications - Fan shall be manufactured at an ISO 9001 certified facility. Fan shall be listed by Underwriters Laboratories (UL 705) and listed for Canada (cUL 705).

Construction - The fan shall be of bolted and welded construction utilizing corrosion resistant fasteners. The spun aluminum structural components shall be constructed of minimum 16 gauge marine alloy aluminum, bolted to a rigid aluminum support structure. The aluminum base shall have continuously welded curb cap corners for maximum leak protection. The motor shall be mounted on a minimum 14 gauge steel power assembly, isolated from the unit structure with rubber vibration isolators. Unit shall bear an engraved aluminum nameplate and shall be shipped in ISTA Certified Transit Tested Packaging.

Propeller - Propeller shall be cast aluminum airfoil design with cast aluminum hub. The blade pitch shall be factory set and locked using set screws and roll pins. The hub shall be keyed and locked to the shaft utilizing two setscrews or a taper lock bushing. Propeller shall be balanced in accordance with AMCA Standard 204-96, Balance Quality and Vibration Levels for Fans.

Motor - Motor shall be heavy duty type with permanently lubricated sealed bearings and furnished at the specified voltage, phase and enclosure.

Product - Fan shall be model AQD as manufactured by Loren Cook Company of Springfield, Missouri.

Roof Exhaust Fan Cast Aluminum Propeller Direct Drive

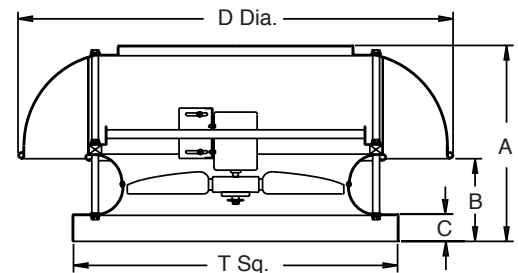


Model AQD is furnished standard with UL 705 and cUL 705 listing (Power Ventilator/ZACT) when furnished with factory supplied motor.

AQD

Size	A	B	C	D Dia.	T Sq.	Max. Motor Frame	Approx. Ship. Wt. - lbs.	Roof Opening Square*
12	14-9/16	5-1/8	2	28-1/4	20	48T	58	15-1/2
16	16	6-1/8	2	33-1/4	28	56T	90	23-1/2
20	18-3/8	7-1/8	2	43-1/4	32	143T	155	27-1/2
24	21-5/8	9-1/8	3	47-1/2	36	145T	210	31-1/2
30	26-1/4	9-1/4	3	52-1/2	42	184T	318	37-1/2
36	27-1/4	9-3/4	3	62-1/2	48	184T	345	43-1/2
42	32-3/4	10-1/4	3	74-1/2	54	215T	418	49-1/2
48	32-3/4	10-1/4	3	74-1/2	60	215T	475	55-1/2

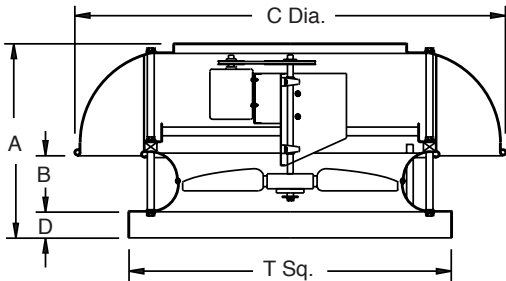
All dimensions in inches. Weights in pounds. *Roof opening size for curbs supplied by Cook only.



Roof Exhaust Fan Cast Aluminum Propeller Belt Drive



Model AQB is furnished standard with UL 705 and cUL 705 listing (Power Ventilator/ZACT) when furnished with factory supplied motor.



Description - Fan shall be a roof mounted, belt driven, downblast, cast aluminum propeller exhaust ventilator with spun aluminum top cap.

Certifications - Fan shall be manufactured at an ISO 9001 certified facility. Fan shall be listed by Underwriters Laboratories (UL 705) and listed for Canada (cUL 705).

Construction - The fan shall be of bolted and welded construction utilizing corrosion resistant fasteners. The spun aluminum structural components shall be constructed of minimum 16 gauge marine alloy aluminum, bolted to a rigid aluminum support structure. The aluminum base shall have continuously welded curb cap corners for maximum leak protection. The motor, bearings and drives shall be mounted on a minimum 14 gauge steel power assembly, isolated from the unit structure with rubber vibration isolators. Unit shall bear an engraved aluminum nameplate and shall be shipped in ISTA Certified Transit Tested Packaging.

Propeller - Propeller shall be cast aluminum airfoil design with cast aluminum hub. The blade pitch shall be factory set and locked using set screws and roll pin. The hub shall be keyed and locked to the shaft utilizing two setscrews or a taper lock bushing. Propeller shall be balanced in accordance with AMCA Standard 204-96, Balance Quality and Vibration Levels for Fans.

Motor - Motor shall be heavy duty type with permanently lubricated sealed ball bearings and furnished at the specified voltage, phase and enclosure.

Bearings - Bearings shall be designed and individually tested specifically for use in air handling applications. Construction shall be heavy duty regreasable ball type in a cast iron housing selected for a minimum L50 life in excess of 200,000 hours at maximum cataloged operating speed.

Belts and Drives - Belts shall be oil and heat resistant, non-static type. Drives shall be precision machined cast iron type, keyed and securely attached to the wheel and motor shafts. Drives shall be sized for 150% of the installed motor horsepower. The variable pitch motor drive must be factory set to the specified fan RPM.

Product - Fan shall be model AQB as manufactured by Loren Cook Company of Springfield, Missouri.

AQB

Size	A	B	C Dia.	T Sq.	Maximum Motor Frame	Approx. Ship. Wt. - lbs.	Roof Opening Square*
24	24-7/8	6-1/8	47-1/2	36	143T	175	31-1/2
30	26-1/4	6-1/4	52-1/2	42	145T	218	37-1/2
36	27-1/4	6-3/4	62-1/2	48	145T	265	43-1/2
42	32-3/4	7-1/4	74-1/2	54	182T	318	49-1/2
48	32-3/4	7-1/4	74-1/2	60	184T	360	55-1/2

All dimensions in inches. Weights in pounds, less motor. *Roof opening size for curbs supplied by Cook only.

Exhaust and Supply Roof Fan Cast Aluminum Propeller Belt Drive

Description - Fan shall be a roof mounted, belt driven, cast aluminum propeller, reversible exhaust and supply ventilator with spun aluminum top cap.

Certifications - Fan shall be manufactured at an ISO 9001 certified facility. Fan shall be listed by Underwriters Laboratories (UL 705) and listed for Canada (cUL 705).

Construction - The fan shall be of bolted and welded construction utilizing corrosion resistant fasteners. The spun aluminum structural components shall be constructed of minimum 16 gauge marine alloy aluminum, bolted to a rigid aluminum support structure. The aluminum base shall have continuously welded curb cap corners for maximum leak protection. The motor, bearings and drives shall be mounted on a minimum 14 gauge steel power assembly, isolated from the unit structure with rubber vibration isolators. Unit shall bear an engraved aluminum nameplate and shall be shipped in ISTA Certified Transit Tested Packaging.

Propeller - Propeller shall be reversible, cast aluminum airfoil design with cast aluminum hub. The blade pitch shall be factory set and locked using set screws and roll pin. The hub shall be keyed and locked to the shaft utilizing two setscrews or a taper lock bushing. Propeller shall be balanced in accordance with AMCA Standard 204-96, Balance Quality and Vibration Levels for Fans.

Motor - Motor shall be heavy duty type with permanently lubricated sealed ball bearings and furnished at the specified voltage, phase and enclosure.

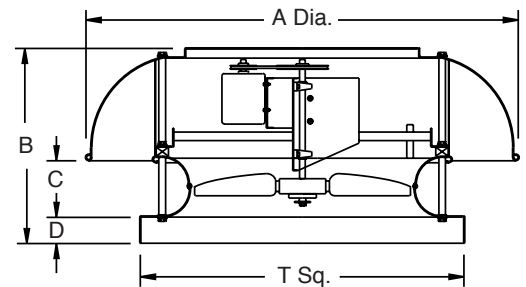
Bearings - Bearings shall be designed and individually tested specifically for use in air handling applications. Construction shall be heavy duty regreaseable ball type in a cast iron housing selected for a minimum L50 life in excess of 200,000 hours at maximum cataloged operating speed.

Belts and Drives - Belts shall be oil and heat resistant, non-static type. Drives shall be precision machined cast iron type, keyed and securely attached to the wheel and motor shafts. Drives shall be sized for 150% of the installed motor horsepower. The variable pitch motor drive must be factory set to the specified fan RPM.

Product - Fan shall be model SEP as manufactured by Loren Cook Company of Springfield, Missouri.



Model SEP is furnished standard with UL 705 and cUL 705 listing (Power Ventilator/ZACT) when furnished with factory supplied motor.



SEP

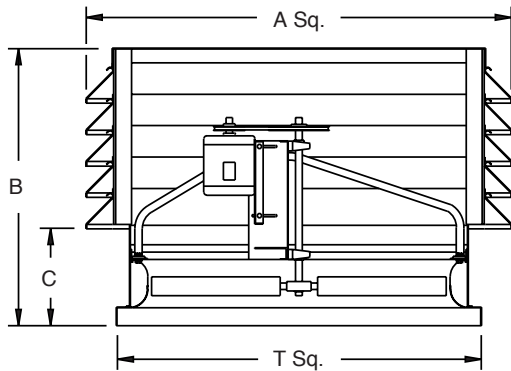
Size	A Dia.	B	C	D	T Sq.	Approx. Ship. Wt. - lbs.	Roof Opening Square*
24	47-1/2	24-7/8	6-1/8	3	36	175	31-1/2
30	52-1/2	26-1/4	6-1/4	3	42	218	37-1/2
36	62-1/2	27-1/4	6-3/4	3	48	265	43-1/2
42	74-1/2	32-3/4	7-1/4	3	54	318	49-1/2
48	74-1/2	32-3/4	7-1/4	3	60	360	55-1/2

All dimensions in inches. Weights in pounds, less motor. * Roof opening size for curbs supplied by Cook only.

Tiered Exhaust Fan Extruded Aluminum Propeller Belt Drive



Model ETE is furnished standard with UL 705 and cUL 705 listing (Power Ventilator/ZACT) when furnished with factory supplied motor.



Description - Fan shall be a tiered aluminum hooded, roof mounted, belt driven, propeller exhaust fan.

Certifications - Fan shall be manufactured at an ISO 9001 certified facility. Fan shall be listed by Underwriters Laboratories (UL 705) and listed for Canada (cUL 705).

Construction - The fan shall be of bolted construction utilizing corrosion resistant fasteners. Hood shall be tiered extruded aluminum. The motor, bearings and drives shall be mounted on a welded tubular steel power assembly. The power assembly shall be rigidly secured to the fan housing. The fan housing shall include a minimum 14 gauge base with integral spun venturi and continuously welded curb cap corners. Unit shall bear an engraved aluminum nameplate and shall be shipped in ISTA Certified Transit Tested Packaging.

Coating - The steel fan components shall be Lorenized[®] with an electrostatically applied, baked polyester powder coating. Each component shall be subject to a five stage environmentally friendly wash system, followed by a minimum 2 mil thick baked powder finish. Paint must exceed 1,000 hour salt spray under ASTM B117 test method.

Propeller - Propeller shall be extruded aluminum airfoil design with cast aluminum hub. The blade pitch shall be factory set and locked using set screws and roll pin. The hub shall be keyed and locked to the shaft utilizing two setscrews or a taper lock bushing. Propeller shall be balanced in accordance with AMCA Standard 204-96, Balance Quality and Vibration Levels for Fans.

Motor - Motor shall be heavy duty type with permanently lubricated sealed ball bearings and furnished at the specified voltage, phase and enclosure.

Bearings - Bearings shall be designed and individually tested specifically for use in air handling applications. Construction shall be heavy duty regreasable ball type in a cast iron housing selected for a minimum L50 life in excess of 200,000 hours at maximum cataloged operating speed.

Belts and Drives - Belts shall be oil and heat resistant, non-static type. Drives shall be precision machined cast iron type, keyed and securely attached to the wheel and motor shafts. Drives shall be sized for 150% of the installed motor horsepower. The variable pitch motor drive must be factory set to the specified fan RPM.

Product - Fan shall be model ETE as manufactured by Loren Cook Company of Springfield, Missouri.

ETE

Size	A Sq.	B	C	No. Tiers	T Sq.	Maximum Motor Frame	Approx. Ship. Wt. - lbs.	Roof Opening Square*
24	40-3/4	34-1/4	12-1/2	2	36	182T	290	31-1/2
30	46-3/4	34-1/4	12-1/2	3	42	184T	355	37-1/2
36	52-3/4	41-1/4	12-1/2	3	48	215T	455	43-1/2
42	58-3/4	45	16-1/4	4	54	215T	585	49-1/2
48	64-3/4	52	16-1/4	4	60	254T	710	55-1/2
54	70-3/4	56-1/2	17-1/4	5	66	256T	850	61-1/2
60	76-3/4	63-1/2	17-1/4	6	72	256T	985	67-1/2

All dimensions in inches. Weights in pounds, less motor. * Roof opening size for curbs supplied by Cook only.

Description - Fan shall be a tiered aluminum hooded, filtered, roof mounted, belt driven, propeller supply fan.

Certifications - Fan shall be manufactured at an ISO 9001 certified facility. Fan shall be listed by Underwriters Laboratories (UL 705) and listed for Canada (cUL 705).

Construction - The fan shall be of bolted construction utilizing corrosion resistant fasteners. Hood shall be tiered extruded aluminum. The motor, bearings and drives shall be mounted on a welded tubular steel power assembly. The power assembly shall be rigidly secured to the fan housing. The fan housing shall include a minimum 14 gauge base with integral spun venturi and continuously welded curb cap corners. Filters shall be washable expanded aluminum media with two inch formed aluminum frame. Unit shall bear an engraved aluminum nameplate and shall be shipped in ISTA Certified Transit Tested Packaging.

Coating - The steel fan components shall be Lorenized[®] with an electrostatically applied, baked polyester powder coating. Each component shall be subject to a five stage environmentally friendly wash system, followed by a minimum 2 mil thick baked powder finish. Paint must exceed 1,000 hour salt spray under ASTM B117 test method.

Propeller - Propeller shall be extruded aluminum airfoil design with cast aluminum hub. The blade pitch shall be factory set and locked using set screws and roll pin. The hub shall be keyed and locked to the shaft utilizing two setscrews or a taper lock bushing. Propeller shall be balanced in accordance with AMCA Standard 204-96, Balance Quality and Vibration Levels for Fans.

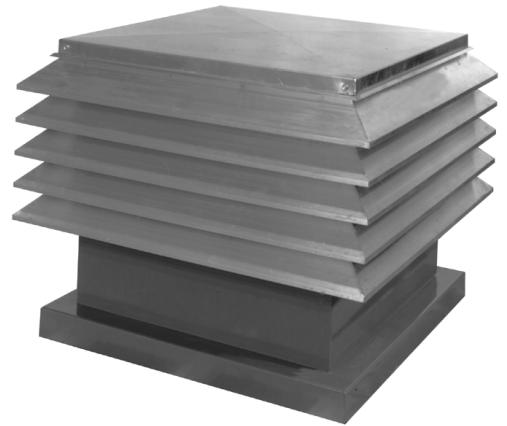
Motor - Motor shall be heavy duty type with permanently lubricated sealed ball bearings and furnished at the specified voltage, phase and enclosure.

Bearings - Bearings shall be designed and individually tested specifically for use in air handling applications. Construction shall be heavy duty regreasable ball type in a cast iron housing selected for a minimum L50 life in excess of 200,000 hours at maximum cataloged operating speed.

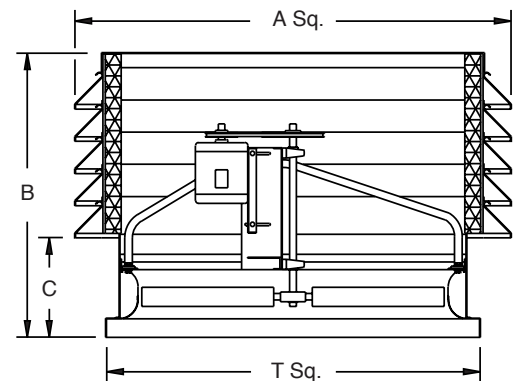
Belts and Drives - Belts shall be oil and heat resistant, non-static type. Drives shall be precision machined cast iron type, keyed and securely attached to the wheel and motor shafts. Drives shall be sized for 150% of the installed motor horsepower. The variable pitch motor drive must be factory set to the specified fan RPM.

Product - Fan shall be model ETS as manufactured by Loren Cook Company of Springfield, Missouri.

Tiered Filtered Supply Fan Extruded Aluminum Propeller Belt Drive



Model ETS is furnished standard with UL 705 and cUL 705 listing (Power Ventilator/ZACT) when furnished with factory supplied motor.



ETS

Size	A Sq.	B	C	T Sq.	No. Tiers	No. Filters	Max. Motor Frame	Approx. Ship. Wt. - lbs.	Roof Opening Sq.*	Filter Size	Filter Area (sq. ft.)
24	40-3/4	34-1/4	12-1/2	36	2	4	182T	324	31-1/2	18-7/8 x 29-3/8	13.1
30	46-3/4	34-1/4	12-1/2	42	3	4	184T	402	37-1/2	18-7/8 x 35-3/8	16
36	52-3/4	41-1/4	12-1/2	48	3	8	215T	515	43-1/2	19-5/8 x 25-7/8	24
42	58-3/4	45	16-1/4	54	4	8	215T	663	49-1/2	22-5/8 x 25-7/8	28
48	64-3/4	52	16-1/4	60	4	8	254T	800	55-1/2	25-3/8 x 32-7/8	40.9
54	70-3/4	56-1/2	17-1/4	66	5	16	256T	956	61-1/2	18-3/16 x 28-5/8	49
60	76-3/4	63-1/2	17-1/4	72	6	16	256T	1132	67-1/2	21-11/16 x 31-1/2	65.9

All dimensions in inches. Weights in pounds, less motor.
* Roof opening size for curbs supplied by Cook only.

Accessories

Disconnect Switches

NEMA 1 - Indoor general purpose.

NEMA 1 (Lockable) - Indoor general purpose with locking capability.

NEMA 3R - Exterior mount, rain-tight.

NEMA 4 - Water-tight and dust-tight.

NEMA 7 and NEMA 9 - Lockable, indoor, explosion proof.



NEMA 1



NEMA 1 (Lockable)



NEMA 3R

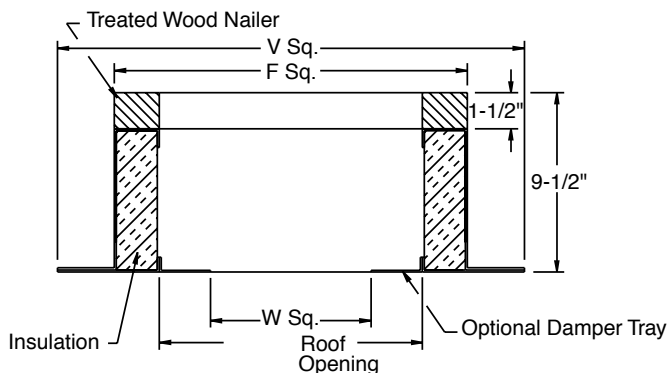


NEMA 4



**NEMA 7
NEMA 9**

RCG/RCA Roof Curb



Size	Catalog Number		F Sq.	V Sq.	W Sq.	Roof Opening
	Galvanized	Aluminum				
12	RCG-18	RCA-18	18-1/2	22-1/2	11-3/4	15-1/2
16	RCG-26	RCA-26	26-1/2	30-1/2	19-3/4	23-1/2
20	RCG-30	RCA-30	30-1/2	34-1/2	23-3/4	27-1/2
24	RCG-34	RCA-34	34-1/2	38-1/2	27-3/4	31-1/2
30	RCG-40	RCA-40	40-1/2	44-1/2	33-3/4	37-1/2
36	RCG-47	RCA-47	47-1/2	51-1/2	40-3/4	44-1/2
42	RCG-52	RCA-52	52-1/2	56-1/2	45-3/4	49-1/2
48	RCG-58	RCA-58	58-1/2	62-1/2	51-3/4	55-1/2
54	RCG-64	RCA-64	64-1/2	68-1/2	57-3/4	61-1/2
60	RCG-70	RCA-70	70-1/2	74-1/2	63-3/4	67-1/2

All dimensions in inches. Weights in pounds.

Additional Accessories

- Inlet Basket Guard
- Dampers
- Bird Screen (AQB, AQD, SEP)
- Extended Base
- Hinged Base
- Lube Lines
- End Switch (Dampers)
- Reversing Switch (SEP)
- Anti-Condensate Coating
- FSC (Size 12 AQD)
- Flat Base (AQB, AQD, SEP)

Optional Coatings

Lorenized® is an electrostatically applied, baked polyester powder coating. Each component shall be subjected to a five stage environmentally friendly wash system, followed by a minimum 2 mil thick baked powder finish. Coating must exceed 1,000 hour salt spray under ASTM B117 test method.

Cook Epoxy Powder is an electrostatically applied, baked epoxy powder coating. Final coating thickness is 2.5 - 3.5 mils. For outdoor applications an optional UV resistant topcoat is available to prevent cosmetic chalking of the coating.

Cook Phenolic Epoxy Powder is an electrostatically applied, baked phenolic epoxy powder coating. Final coating thickness is 2 - 4 mils. For outdoor applications an optional UV resistant topcoat is required to prevent deterioration of the coating.

Refer to the corrosion resistance guide in the Compute-A-Fan software for a listing of the coatings above and their resistance to a variety of chemicals. Additional special coatings are available.

AQD - Direct Drive

Fan Size	Model Number	HP	Max. BHP	RPM	Tip Speed	Sones	CFM vs. Static Pressure						
							0.000	0.125	0.250	0.375	0.500	0.625	0.750
12	1210AQ*	1/25	0.03	1050	3298	5.5	702	343					
	1215AQ*	1/20	0.08	1550	4869	11.1	1037	833	549	311			
16	1611AQ	1/6	0.12	1140	4775	11.7	1843	1576	962	541			
	1617AQ	1/3	0.43	1725	7225	24	2789	2619	2447	2207	1578	1386	
20	2011AQ	1/3	0.34	1140	5969	18.7	3584	3156	2712	2116			
24	2411AQ	3/4	0.79	1140	7162	19.5	6191	5701	5212	4750	4094	3013	
30	3011AQ	1-1/2	1.15	1140	8953	28	8889	8263	7592	6672	5750	4618	3587
36	3611AQ	1-1/2	1.54	1140	10744	41	11385	10629	9807	9021	8209	7059	5925
42	4208AQ	2	2.32	860	9456	34	17628	16516	15413	14030	12344		
48	4808AQ	3	2.80	860	10807	45	19500	18468	17404	16218	14679		

* Not available in three phase. Performance shown is for installation type A: free inlet, free outlet. Power rating (BHP) does not include drive losses. Performance ratings do not include the effects of appurtenances in the airstream. Sones shown apply to the highest cataloged CFM at each fan RPM.

AQB - Belt Drive

Fan Size	Model Number	HP	Max. BHP	RPM	Tip Speed	Sones	CFM vs. Static Pressure				
							0.000	0.125	0.250	0.375	0.500
24	24 AQB	1/6	0.16	645	4052	9.7	3151	2385	1165		
		1/4	0.21	742	4662	12.6	3625	2977	1836		
		1/3	0.32	820	5152	15.2	4007	3413	2611	1651	
		1/2	0.48	942	5918	19.3	4603	4079	3572	2450	1866
30	30 AQB	1/4	0.24	560	4398	8.1	5099	3641	1785		
		1/3	0.30	620	4869	9.8	5645	4415	2434		
		1/2	0.47	712	5592	12.7	6483	5449	3648	2493	
		3/4	0.72	819	6432	16.3	7457	6571	5523	3591	2844
36	36 AQB	1/3	0.27	451	4250	7.8	6360	4270			
		1/2	0.46	517	4872	10.1	7290	5902	3267		
		3/4	0.74	596	5617	13.2	8404	7247	4956	3229	
		1	1.03	657	6192	15.8	9264	8196	6559	4470	3012
42	42 AQB	1/2	0.49	403	4431	8.6	9415	6720	2775		
		3/4	0.68	464	5101	11.3	10840	8523	4932		
		1	0.98	512	5629	13.6	11961	9861	6842	4111	
		1-1/2	1.49	588	6465	17.5	13737	11907	10062	6780	4635
48	48 AQB	3/4	0.74	388	4875	10.5	11978	9425	5183		
		1	0.96	428	5378	12.7	13212	11039	7082		
		1-1/2	1.47	492	6182	16.5	15188	13589	11025	7209	
		2	2.03	542	6810	19.5	16732	15369	13063	9642	6968

Performance shown is for installation type A: free inlet, free outlet. Power rating (BHP) does not include drive losses. Performance ratings do not include the effects of appurtenances in the airstream. Sones shown apply to the highest cataloged CFM at each fan RPM.

SEP (Intake or Exhaust)

Fan Size	Model Number	HP	Max. BHP	RPM	Tip Speed	Sones	CFM vs. Static Pressure				
							0.000	0.125	0.250	0.375	0.500
24	24 SEP	1/6	0.16	666	4184	10.2	3072	1874	1017		
		1/4	0.22	766	4812	13.3	3533	2712	1653		
		1/3	0.33	847	5321	16.1	3906	3200	2175	1426	
		1/2	0.49	972	6107	20	4483	3888	2814	2277	1611
		3/4	0.74	1119	7030	26	5161	4656	4063	3071	2605
30	30 SEP	1/4	0.24	517	4060	6.9	4657	2772	1414		
		1/3	0.30	572	4492	8.4	5153	3416	2040		
		1/2	0.48	657	5160	10.9	5918	4768	3179	1996	
		3/4	0.73	756	5937	14.1	6810	5849	4167	3244	2276
		1	0.99	834	6550	16.9	7513	6657	5497	4202	3200
36	36 SEP	1/3	0.33	422	3977	6.9	6569	3844	1865		
		1/2	0.44	484	4561	8.9	7534	5253	3094		
		3/4	0.71	557	5249	11.6	8670	7052	4755	3057	
		1	0.99	615	5796	13.9	9573	8147	5741	4296	2990
		1-1/2	1.47	706	6653	17.9	10990	9780	8242	6240	4861
42	42 SEP	1/2	0.48	373	4101	7.4	9219	5532	2885		
		3/4	0.65	429	4717	9.7	10604	7976	4719		
		1	0.95	473	5200	11.7	11691	9461	6344	4026	
		1-1/2	1.44	543	5970	15.2	13421	11551	8249	6482	4551
		2	1.96	599	6586	18.1	14805	13139	10943	8327	6389
48	48 SEP	3/4	0.74	353	4435	8.70	13024	8436	5000		
		1	1.09	390	4900	10.6	14389	11211	7038	4171	
		1-1/2	1.65	447	5617	13.8	16493	13857	9640	6860	4662
		2	2.04	493	6195	16.6	18190	15852	11598	9483	6773
		3	3.26	566	7112	21	20883	18889	16566	12543	10781

Performance shown is for installation type A: free inlet, free outlet. Power rating (BHP) does not include drive losses. Performance ratings do not include the effects of appurtenances in the airstream. Sones shown apply to the highest cataloged CFM at each fan RPM.

ETE/ETS Data

ETE - Exhaust

Fan Size	Model Number	HP	Max. BHP	RPM	Tip Speed	Sones	CFM at Static Pressure				
							0.000	0.125	0.250	0.375	0.500
24	24 ETE	1/6	0.16	678	4260	9.7	3456	2494	1218		
		1/4	0.25	780	4900	12.1	3976	3068	2522		
		1/3	0.33	862	5416	14.3	4394	3566	2998	1763	
		1/2	0.51	990	6220	17.9	5047	4333	3696	3299	1983
		3/4	0.77	1139	7156	22	5807	5189	4554	4127	3785
30	30 ETE	1/4	0.25	557	4374	11.0	5239	3901	2073		
		1/3	0.33	615	4830	12.8	5785	4544	3516		
		1/2	0.50	707	5552	15.8	6650	5549	4610	3594	
		3/4	0.77	813	6385	19.7	7647	6681	5798	5035	4068
		1	1.03	897	7045	23	8437	7559	6727	5999	5314
36	36 ETE	1/3	0.33	454	4278	11.2	7379	5422	2649		
		1/2	0.50	521	4910	14.0	8468	6706	5250		
		3/4	0.76	599	5645	17.3	9736	8174	6832	5494	
		1	1.02	661	6229	20	10744	9319	8032	6913	4489
		1-1/2	1.55	759	7153	25	12337	11090	9904	8862	7894
42	42 ETE	1/2	0.50	403	4431	12.3	10401	7800	4661		
		3/4	0.77	464	5101	15.5	11976	9650	7723	3930	
		1	1.02	511	5618	18.2	13189	11052	9219	7355	3589
		1-1/2	1.55	587	6454	22	15150	13274	11552	10065	8332
		2	2.08	647	7114	26	16699	14992	13370	11947	10618
48	48 ETE	3/4	0.76	400	5026	15.5	14353	11770	8647	3452	
		1	1.01	441	5541	18.3	15824	13534	10871	7403	
		1-1/2	1.56	507	6371	23	18192	16250	14008	11579	8309
		2	2.07	558	7012	26	20022	18277	16307	14194	11765
		3	3.14	641	8055	32	23000	21497	19866	18073	16228
54	54 ETE	1	1.01	362	5117	16.6	18495	15298	11484		
		1-1/2	1.54	416	5881	21	21253	18554	15422	11711	
		2	2.08	459	6488	24	23450	21042	18273	15301	11566
		3	3.12	526	7436	30	26873	24802	22501	19998	17361
		5	5.27	626	8849	39	31982	30257	28432	26434	24327
60	60 ETE	3	3.12	441	6927	27	30906	28143	25013	21665	
		5	5.27	525	8246	36	36793	34502	32033	29315	26508
		7-1/2	7.91	601	9440	45	42119	40128	38048	35794	33391

ETS - Supply

Fan Size	Model Number	HP	Max. BHP	RPM	Tip Speed	Sones	CFM at Static Pressure				
							0.000	0.125	0.250	0.375	0.500
24	24 ETS	1/6	0.16	678	4260	9.6	3111	2244	1096		
		1/4	0.25	780	4900	12.2	3579	2762	2270		
		1/3	0.33	862	5416	14.5	3955	3210	2698	1587	
		1/2	0.51	990	6220	18.4	4542	3900	3327	2969	1784
		3/4	0.77	1139	7156	23	5226	4670	4099	3714	3407
30	30 ETS	1/4	0.25	557	4374	10.9	4715	3511	1866		
		1/3	0.33	615	4830	12.8	5206	4090	3165		
		1/2	0.50	707	5552	16	5985	4994	4149	3236	
		3/4	0.77	813	6385	20	6882	6012	5218	4532	3662
		1	1.03	897	7045	24	7593	6802	6054	5399	4783
36	36 ETS	1/3	0.33	454	4278	11.2	6641	4880	2385		
		1/2	0.50	521	4910	14	7621	6035	4725		
		3/4	0.76	599	5645	17.5	8762	7356	6149	4946	
		1	1.02	661	6229	20	9669	8386	7229	6221	4039
		1-1/2	1.55	759	7153	25	11103	9981	8914	7976	7104
42	42 ETS	1/2	0.50	403	4431	12.3	9361	7020	4195		
		3/4	0.77	464	5101	15.6	10778	8684	6950	3537	
		1	1.02	511	5618	18.3	11870	9945	8297	6620	3229
		1-1/2	1.55	587	6454	23	13635	11945	10397	9058	7500
		2	2.08	647	7114	26	15029	13492	12032	10752	9556
48	48 ETS	3/4	0.76	400	5026	15.6	12918	10593	7783	3107	
		1	1.01	441	5541	18.5	14242	12180	9784	6663	
		1-1/2	1.56	507	6371	23	16373	14625	12607	10421	7478
		2	2.07	558	7012	27	18020	16449	14676	12775	10589
		3	3.14	641	8055	33	20700	19347	17880	16265	14606
54	54 ETS	1	1.01	362	5117	16.6	16645	13768	10336		
		1-1/2	1.54	416	5881	21	19128	16698	13880	10540	
		2	2.08	459	6488	25	21105	18938	16445	13771	10409
		3	3.12	526	7436	31	24186	22322	20251	17998	15625
		5	5.27	626	8849	40	28784	27231	25589	23791	21895
60	60 ETS	3	3.12	441	6927	28	27816	25329	22511	19498	
		5	5.27	525	8246	37	33114	31052	28829	26384	23857
		7-1/2	7.91	601	9440	47	37907	36115	34242	32214	30052

Performance shown is for installation type A: free inlet, free outlet. Power rating (BHP) does not include drive losses. Performance ratings do not include the effects of appurtenances in the airstream. Sones shown apply to the highest cataloged CFM at each fan RPM.



LOREN COOK COMPANY

2015 E. DALE STREET
SPRINGFIELD, MO 65803-4637
417.869.6474
FAX 417.862.3820
lorencook.com