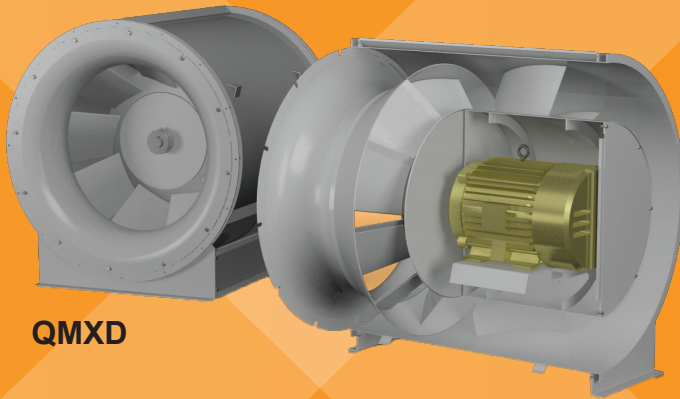


# QMXD Triple Option



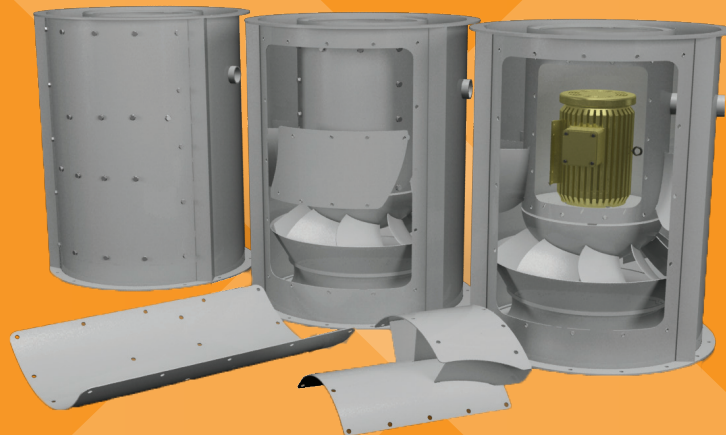
## Our newest QMX direct drive fans



**QMXD**

### QMXD and QMXHPD

- Sizes 150 – 600
- 2,000 to 145,000 CFM
- Static Pressure to 8.0"
- Floor or ceiling mount
- Horizontal or vertical
- Percent width wheels on QMXD-HP



### QMXD with Optional Dual Access Housing

Oversized access doors allow full access to motor

### Optional UL listing\*:

“Power Ventilator for Smoke Control Systems” available on all three QMXD options. These models were tested to meet the following performance expectations during elevated temperature conditions.

Models	Option	Temperature / Duration		
		500°F	572°F	1000°F
QMXD QMXHPD QMXDU QMXHPDU	Standard or Dual Access	6 hours	2.5 hours	30 min.
QMXD QMXHPD QMXDU QMXHPDU	Bifurcated Housing		10 hours	2 hours

\*Requires motor with Class F insulation.



### QMXD with Optional Bifurcated Housing

Motor out of the airstream for easy inspection and maintenance