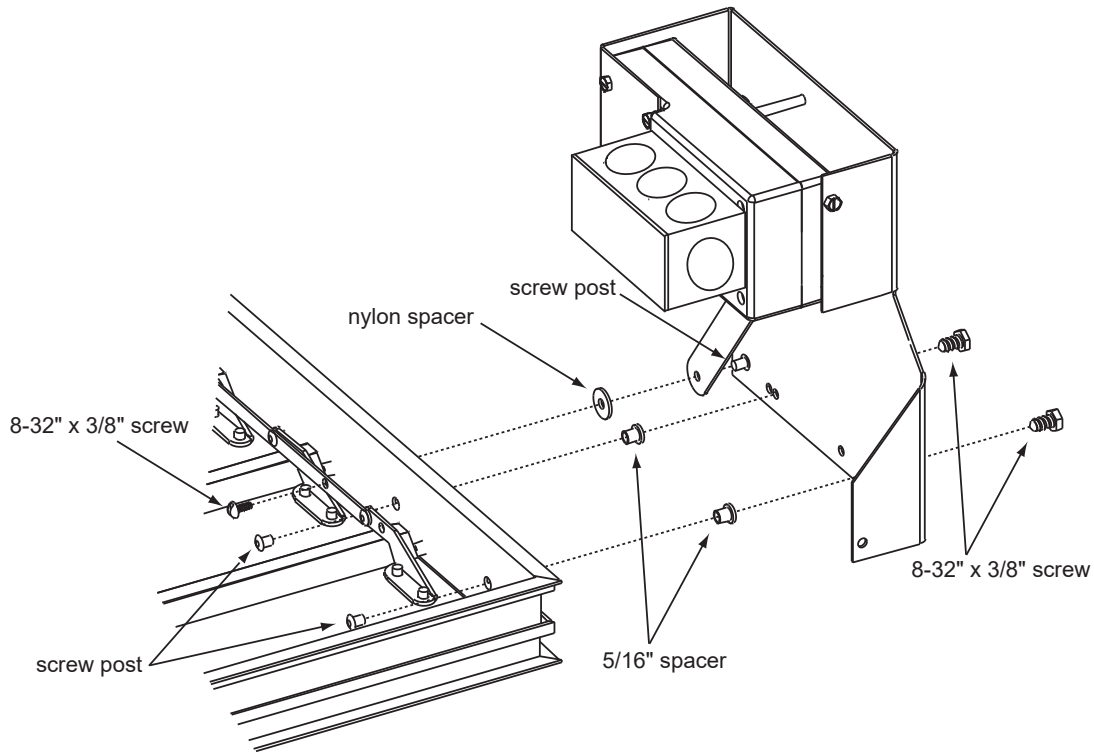




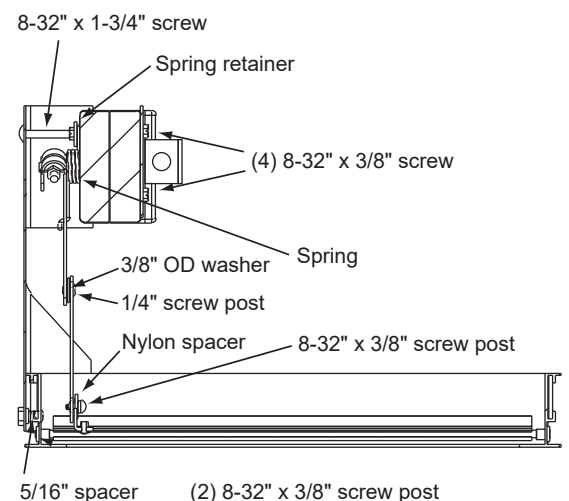
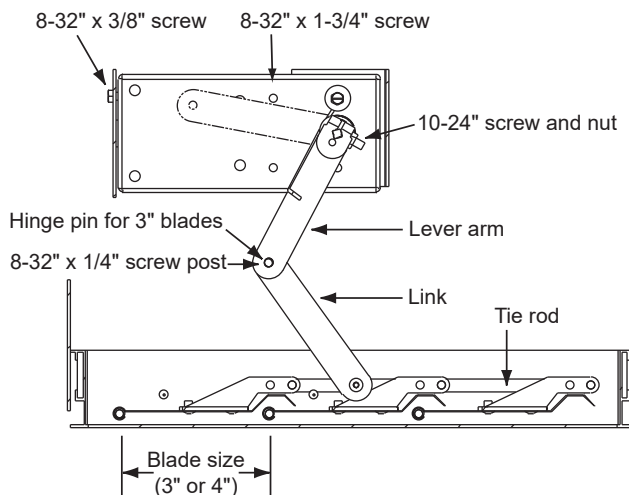
This publication contains the installation instructions for motor packs. Carefully read this publication and any supplemental documents prior to any installation or maintenance procedure. For additional safety information, refer to AMCA Publication 410-96, Safety Practices for Users and Installers of Industrial and Commercial Fans.

## Receiving and Inspection

Immediately upon receipt, carefully inspect for damage and/or shortage. Record on the Delivery Receipt any visible damage.



1. With dampers in the open position, install the motor mount bracket using two 3/8" screw post, a 5/16" spacer and 8-32 x 3/8 screw.
2. Connect the tie rod and link using 3/8" screw posts, 8-32 x 3/8" screws, and a nylon spacer.

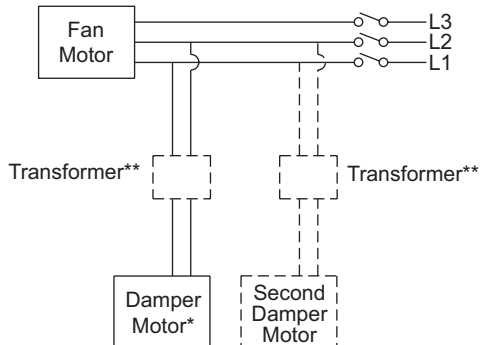


See reverse side for Motor Pack Parts Checklist and Wiring Diagram.

## Motorpack Parts Checklist

	Number of Parts	Description
	3	8-32" x 3/8" Screw Post
	1	8-32" x 1/4" Screw Post
	2	3/8" Flat Wahser
	8	8-32" x 3/8" Screws
	1	8-32" x 1-3/4" Screws
	1	10-24" Screw and Nut
	1	Spring
	1	Nlyon Spacer
	1	3/4" x 4" Lever Arm
	1	3/4" x 5-1/2" Lever Arm
	2	5/16" Spacers

## Typical Damper Motor Schematic



For 3 phase, damper motor voltage should be the same between  $L_1$  and  $L_2$ . For single phase application, disregard  $L_3$ .

\*Damper motors may be available in 115, 230, 460 volt models. The damper motor name plate should be verified prior to connection.

\*\* A transformer may be provided in some installations to correct the damper motor voltage to the specified voltage.



# LOREN COOK COMPANY

Corporate Offices: 2015 E. Dale St. Springfield, MO 65803  
 Phone 417-869-6474 | Fax 417-862-3820 | [lorencook.com](http://lorencook.com)