



# COOK

## INSTALLATION, OPERATION, AND MAINTENANCE MANUAL

### TLCH Supplement B

TLCH-D/B Installation Detail Instructions

This publication contains supplemental instructions for *Type B TLCH units*. Carefully read this publication prior to any installation or maintenance procedure. Type B penthouse assemblies are characterized by a flat topcap profile, and vertical blade spacing of 4.5 inches. For others, see Type A penthouse assemblies.

Loren Cook catalog, LC, provides additional information describing the equipment, fan performance, available accessories, and specification data. For additional safety information, refer to AMCA Publication 410-96, *Safety Practices for Users and Installers of Industrial and Commercial Fans*.

All of the publications listed above can be obtained from Loren Cook Company by phoning (417)869-6474, extension 166; by FAX at (417)832-9431; or by e-mail at info@lorencook.com. For information on special equipment, contact Loren Cook Company Customer Service Department at (417)869-6474.

The unit is shipped in a manner that is stacked together, but the hood and base may not be attached, to facilitate access for installation. The installation requirements vary with the design of roof curbs that the hurricane resistant ventilator is to be mounted on. Modification of the assembly order may be necessary to have access to the restraint components and complete the installation. The following requirements must be met for the installed ventilator to meet the windload and impact resistance specifications.

1) Complete the installation of an approved roof curb. Recommended methods are; a) Concrete Surface - 1/4"-20 Hilti Kwik Bolt II w/ 2" embedment, 18" C-C spacing and 6" from ends, provided by others, or b) Steel Structure - 1/4"-20 x 1 hex head bolt w/ locknut and washer, 18" C-C spacing and 6" from ends, provided by others. Welding of the curb to the roof structure can be an approved attachment method at some sites.

#### 2) Attachment Method A

a) Install fan base over curb. b) Set the penthouse assembly over the fan/fan base. c) Match drill the fan base and curb with the holes in the base angle of the penthouse assembly with a 13/32 diameter drill. d) Install 3/8-16UNC hex head 316SS bolts of sufficient length to accommodate two flat washers, a hex nut and a lockwasher. Install the fasteners and tighten to an appropriate torque. Installation of gaskets and caulk at the seams is the responsibility of the installer.

#### 3) Attachment Method B

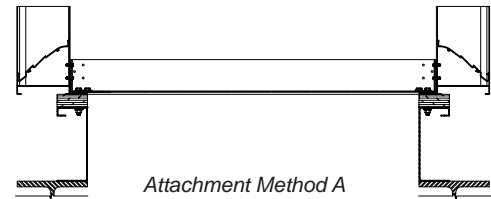
a) Install curb extension over the curb. b) Match drill the top of the curb with the curb extension using a 13/32 diameter drill. c) Attach the curb extension to the curb using 3/8-16UNC hex head SS bolts of sufficient length to accommodate two flat washers, a hex nut and a lockwasher. d) Install the fan base over the curb extension. e) Install the penthouse assembly over the fan base. f) Attach the penthouse assembly to the curb extension using 3/8-16UNC hex head SS bolts of sufficient length to accommodate two flat washers, a hex nut and a lockwasher. Install the fasteners and tighten to an appropriate torque. (Installation of these fasteners requires access to inside and outside of unit on curbs with the inside flange design shown.) Installation of gaskets and caulk at the seams is the responsibility of the installer.

#### 4) Attachment Method C

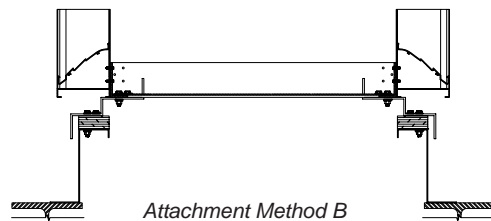
a) Install fan and fan base over curb. b) Install penthouse assembly over curb. c) Match drill the fan base and curb to the penthouse flange using a 13/32 diameter drill. d) Install 3/8-16UNC hex head SS bolts of sufficient length to accommodate two flat washers, a hex nut and a lockwasher. Install the fasteners through the side of the curb and tighten to an appropriate torque. (Installation of these fasteners requires access to inside and outside of unit on curbs with the inside flange design shown.) Installation of gaskets and caulk at the seams is the responsibility of the installer.

5) Drill access through the fan base for the electrical supply and complete wiring to fan

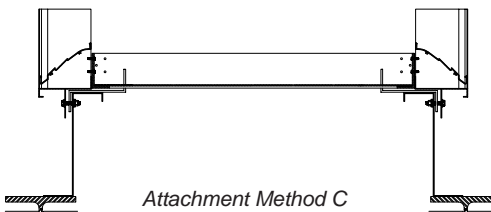
6) Proceed with startup procedure.



Attachment Method A

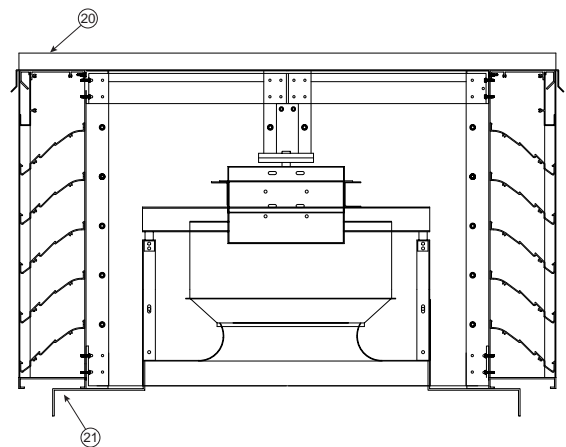


Attachment Method B



Attachment Method C

#### TLCH-D/B Parts List



Part No.	Description
20 *	Hurricane resistant penthouse assembly
21	Extended sill/fan base

\*Part 20 is in lieu of Part #13 on page 8 of LC IOM.