



This publication contains universal motorpack assembly instructions.



Carefully read this publication and any supplemental documents prior to any installation or maintenance procedure.

For additional information and instructions on special equipment, contact the Loren Cook Company.

For additional safety information, refer to AMCA Publication 410-96, *Safety Practices for Users and Installers of Industrial and Commercial Fans*.

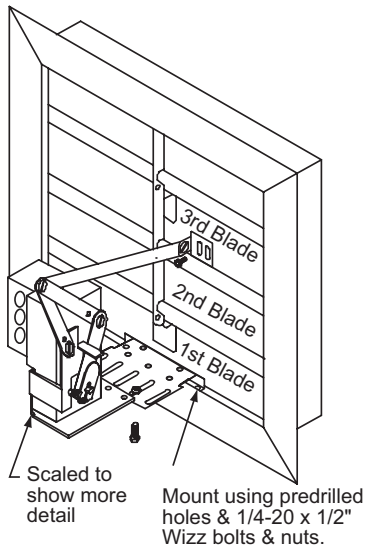
All of the publications listed above can be obtained from:

- lorencook.com
- info@lorencook.com
- 417-869-6474 ext. 166

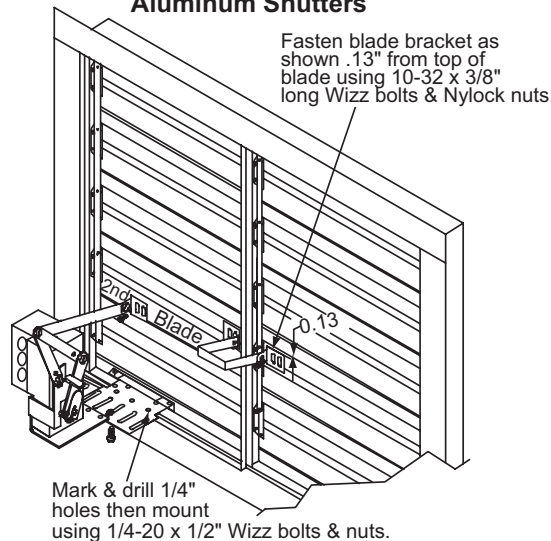
For information and instructions on special equipment, contact Loren Cook Company at 417-869-6474.

Universal Motorpack Parts list

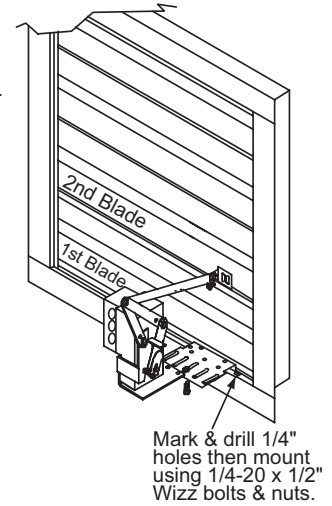
"P" Type Aluminum Shutters



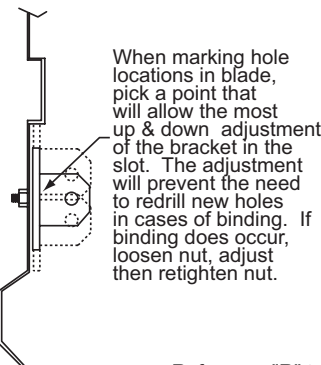
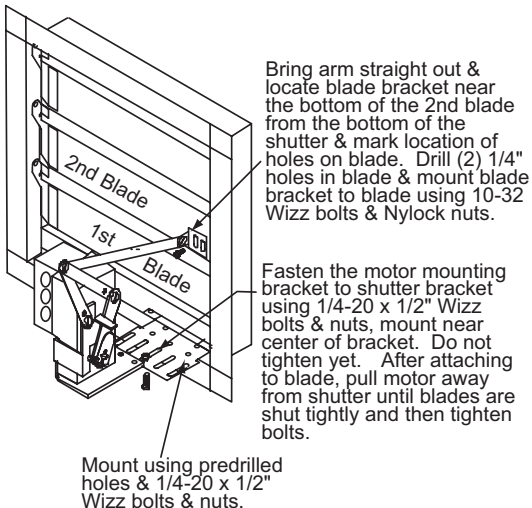
"A" Type Heavy Duty Aluminum Shutters



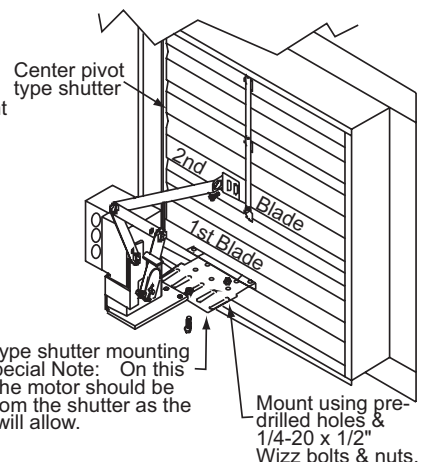
"A" Type Aluminum Shutters



"R" Type Galvanized Shutters Used



"R" Type MIC Shutters



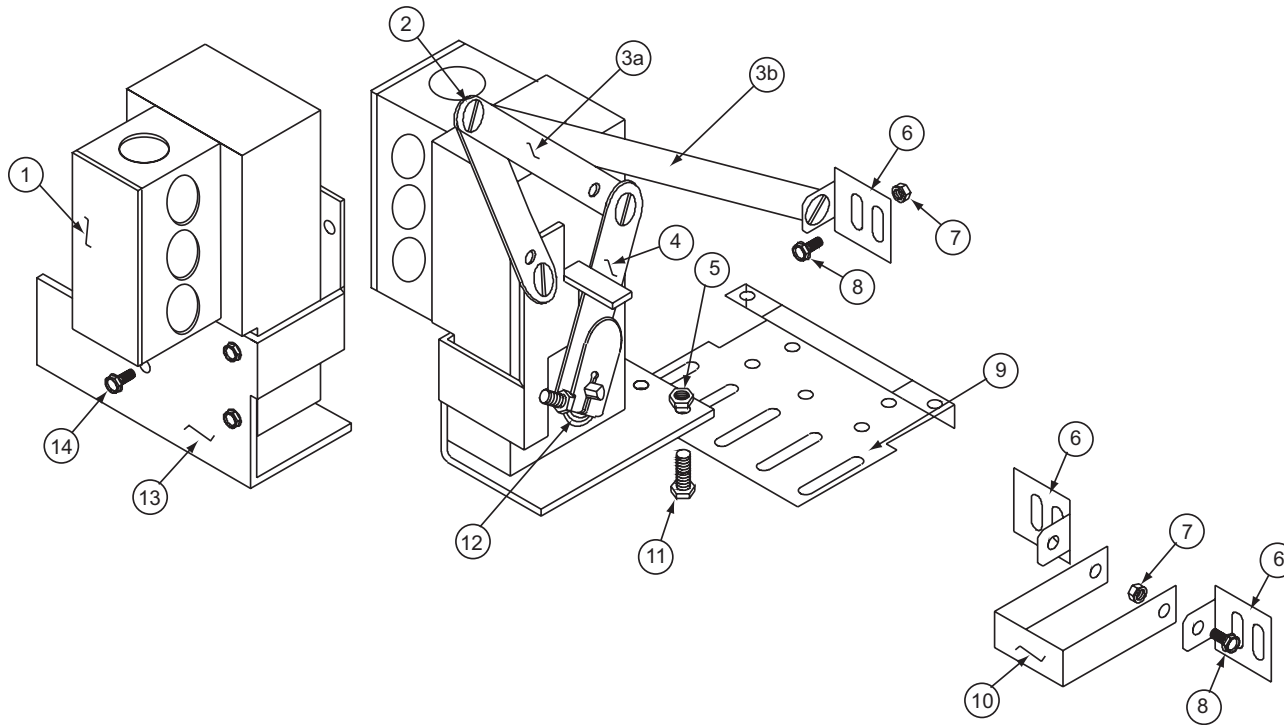
Assembly Instructions

Motorpack Assembly

You will need the following tools:

- Magic Marker
- 5/16 Wrench or Socket
- 3/8 Wrench or Socket
- 7/16 Wrench or Socket
- Powerdriver with 1/4" bit
or
Sheet Metal Uni-Bit

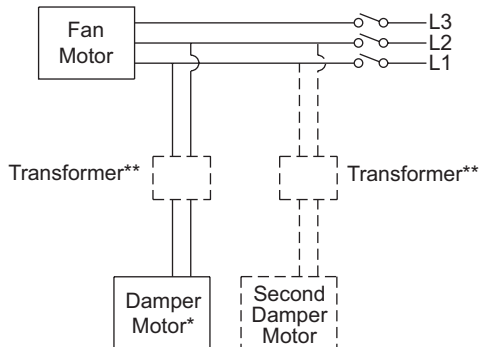
Universal Motorpack Parts list



Part No.	Description	Inventory No.	Packaged in box:
1	Actuator Motor (24v / 120v/240v / 460v)	554146 / 554156 / 554166	Pre-Installed
2	1/4" Long Screw Post & 8-32 Screw (4)	554225	Pre-Installed
3a	Linkage Arm - Short (2)	556764	Pre-Installed
3b	Linkage Arm - Long	556768	Pre-Installed
4	Actuator Motor Arm	556767	Pre-Installed
5	1/4-20 Wizz Nut (4)	137555	In Bag
6	Shutter Blade Bracket (3)	556128	1 Pre-Installed 2 Loose
7	10-32 Nylock Nut (8)	137552	In Bag
8	10-32 x 3/8" Wizz Bolt (8)	137573	In Bag
9	Shutter Bracket	556121	Loose
10	Two Panel Bracket	556123	Loose
11	1/4-20 x 1/2" Wizz Bolt (4)	137578	In Bag
12	Spring	554095	Pre-Installed
13	Actuator Motor Mounting Bracket	556126	Pre-Installed
14	8-32 x 5/16 Hex Head Screw (4)	137502	Pre-Installed

*Lock-Tite all screw posts.

Typical Damper Motor Schematic



For 3 phase, damper motor voltage should be the same between L_1 and L_2 . For single phase application, disregard L_3 .

*Damper motors may be available in 115, 230, 460 volt models. The damper motor name plate should be verified prior to connection.

** A transformer may be provided in some installations to correct the damper motor voltage to the specified voltage.



LOREN COOK COMPANY

Corporate Offices: 2015 E. Dale St. Springfield, MO 65803
Phone 417-869-6474 | Fax 417-862-3820 | lorencook.com