

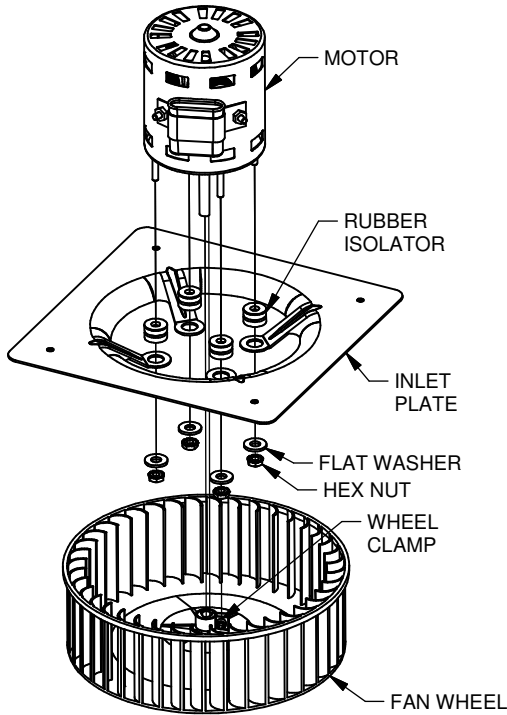


COOK

GEMINI

DATE: _____
PROJECT: _____
LOCATION: _____

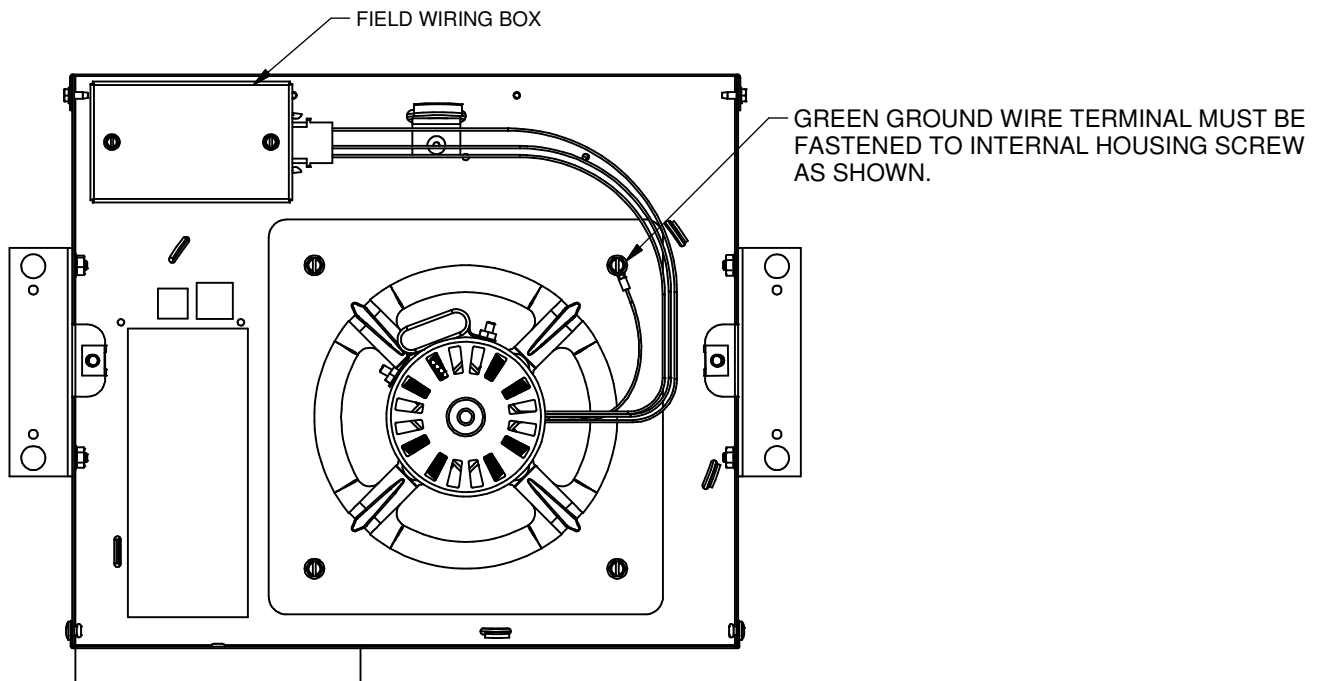
GEMINI 100 SERIES PRE-2014 MOTOR REPLACEMENT INSTRUCTIONS



INTERNAL ASSEMBLY

INSTALLATION INSTRUCTIONS:

1. SHUT OFF AND LOCK OUT POWER TO FAN.
2. REMOVE GRILLE
3. UNPLUG MOTOR CABLE FROM FIELD WIRING BOX.
4. REMOVE (4) SCREWS HOLDING INTERNAL ASSEMBLY TO HOUSING AND PREPARE TO DIS-ASSEMBLE.
5. USE A ALLEN WRENCH TO LOOSEN CLAMP AND REMOVE FAN WHEEL.
6. REMOVE (4) HEX NUTS TO REMOVE MOTOR.
7. INSTALL MOTOR IN REVERSE ORDER AND REPLACE INTERNAL ASSEMBLY MAKING SURE TO FASTEN RING TERMINAL OF GREEN WIRE TO ONE OF THE (4) MOUNTING SCREWS IN ORDER TO PROPERLY GROUND THE MOTOR.
8. CONNECT PLUG FROM MOTOR TO PLUG IN FIELD WIRING BOX.
9. RESTORE POWER TO FAN AND INSPECT FOR PROPER OPERATION.
10. REPLACE GRILLE.



GEMINI 100 SERIES WITH GRILLE REMOVED