



COOK

X-Stream

XMP-Supply

DATE: _____

PROJECT: _____

LOCATION: _____



Medium-Pressure Wall-Pac Supply Fan Steel Propeller Belt Drive

DIMENSION DATA

SIZE	A	B*	C	D*	WALL OPENING	WALL HOUSING GAUGE	SHIPPING WEIGHT
20	27-1/2	25	22	34-3/8	25-1/4	18 GA.	183
24	33-1/2	31	27-1/2	34-3/8	31-1/4	18 GA.	226
30	39-1/2	37	33-1/2	38	37-1/4	18 GA.	280
36	45-1/2	43	39-1/2	39-1/2	43-1/4	18 GA.	348
42	51-1/2	49-1/16	45-1/2	41	49-1/4	16 GA.	460
48	57-1/2	55-1/16	51-1/2	51	55-1/4	16 GA.	540
54	63-1/2	61-1/8	57-1/2	48	61-1/2	14 GA.	646
60	69-1/2	67-1/8	63-1/2	48	67-1/2	14 GA.	716

ALL DIMENSIONS IN INCHES. WEIGHTS IN LBS., LESS MOTOR.

* B & D DIMENSIONS ARE TO OUTSIDE OF FASTENERS ON WALL HOUSING.

Note: Correct propeller rotation is CCW when viewing from inlet side.

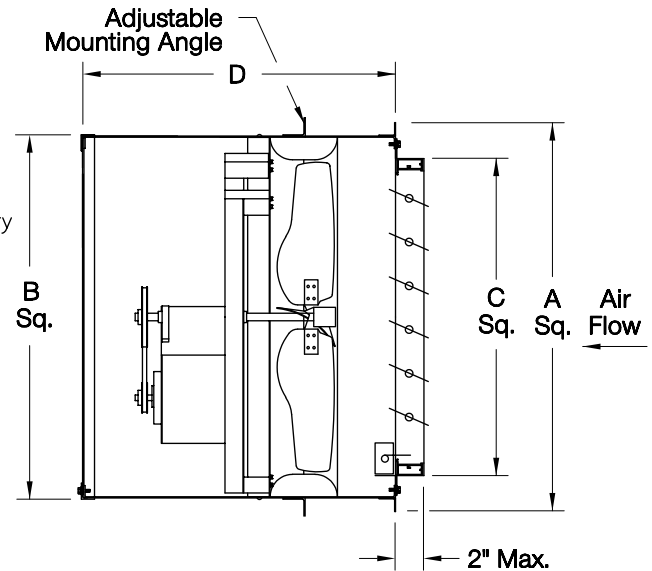
STANDARD CONSTRUCTION FEATURES:

X-stream steel propeller – Propeller hub keyed to shaft – Continuously welded wall panel corners – Galvanized steel wall housing – Adjustable mounting angle – Galvanized steel end guard – Motorized supply shutter – Lorenized powder paint finish on all uncoated steel parts – Corrosion resistant fasteners – 14 gauge steel venturi – Permanently lubricated ball bearing motor – Regreasable bearings in a cast housing rated at 200,000 hours average life – Adjustable pitch drives through 5 hp motor – Static resistant belts – All fans factory adjusted to specified RPM.

NOTE: Mounting angle is 2 pieces, shipped loose.

ACCESSORIES

1. DISCONNECT SWITCH
2. PRE-WIRED DISCONNECT SWITCH
3. PRE-WIRED DISCONNECT SWITCH WITH FLEXIBLE CONDUIT
4. ALUMINUM EXHAUST SHUTTER – GRAVITY OR MOTORIZED
5. ALUMINUM HD EXHAUST SHUTTER – GRAVITY OR MOTORIZED
6. WEATHERHOOD
7. KNOCKDOWN WEATHERHOOD
8. SHUTTER GUARD
9. ALUMINUM HOUSING
10. BAKED EPOXY POWDER
11. BAKED PHENOLIC EPOXY POWDER



QTY	MARK	CATALOG NUMBER	FAN INFORMATION			MOTOR INFORMATION					ACCESSORIES						
			CFM	SP	RPM	HP	VOLTS	HZ	PH	TYPE							

LARGEST MOTOR SHIPPED MOUNTED: ODP (OPEN DRIP-PROOF) 2 HP; 2 SP (2 SPEED) 1-1/2 HP; X-PRF (EXPLOSION PROOF) 1 HP; TEFC (TOTALLY ENCLOSED FAN COOLED) 1-1/2 HP.

WP023R02