

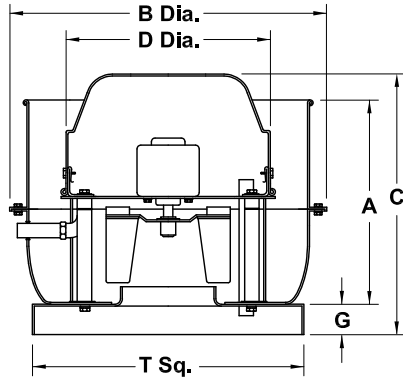


COOK ACRUD/ACRUD-HP/ACRUD-XP

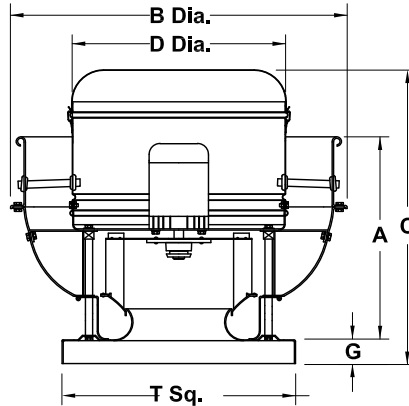
DATE: _____
 PROJECT: _____
 LOCATION: _____



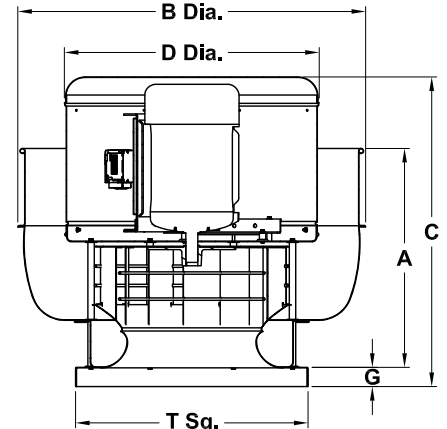
**Upblast Centrifugal
 Exhaust Ventilator
 Roof Mounted/Direct Drive**



SIZES 70-100 C-FACE MOTOR MOUNT



SIZES 120-195 C-FACE MOTOR MOUNT



SIZES 150-300 BASE MOUNT

DIMENSION DATA

Size	A	B	C			D	G	T Sq.	Unit Wt.	Roof Opening Sq.*
			ACRUD	ACRUD-HP	ACRUD-XP					
70	11	17-1/8	13-3/8	-	-	16-3/4	2	18	12	13-1/2
90	13-1/2	21-1/8	16-3/8	-	-	16-3/4	2	18	13	13-1/2
100	13-1/2	21-1/8	16-3/8	-	-	16-3/4	2	18	14	13-1/2
101	12-1/2	24-1/4	20-3/16	-	-	16-3/4	2	18	15	13-1/2
120	19-1/16	30-3/16	28-1/8	-	-	20-3/8	2	20	20	15-1/2
135	19-1/16	30-3/16	28-5/8	-	-	20-3/8	2	20	25	15-1/2
150	20-15/16	34-11/16	30-1/4	27-1/2	-	23-13/16	2	24	31	19-1/2
165	20-15/16	34-11/16	30-3/4	27-3/4	26-11/16	23-13/16	2	24	38	19-1/2
180	24-13/16	39-7/16	35-7/8	33-3/8	31-9/16	26-1/8	3	30	47	25-1/2
195	24-13/16	39-7/16	36-3/8	33-1/2	32-1/8	26-1/8	3	30	58	25-1/2
210	25-15/16	45-1/4	38-3/8	35-3/8	32-3/4	29-7/8	3	30	76	25-1/2
225	25-15/16	45-1/4	38-1/8	35-1/2	33-5/16	29-7/8	3	30	82	25-1/2
245	28-1/2	49-1/4	41-1/16	37-5/16	34-1/16	32-7/8	3	30	91	25-1/2
270	28-1/2	49-1/4	41-1/16	37-5/16	35	35-7/8	3	36	115	31-1/2
300	33-7/8	54-1/4	49-15/16	45-15/16	41-7/16	39-3/8	3	36	166	31-1/2

ALL DIMENSIONS IN INCHES. WEIGHTS IN LBS., LESS MOTOR
 * ROOF OPENING SIZE FOR CURBS SUPPLIED BY COOK ONLY.

STANDARD CONSTRUCTION FEATURES:

All aluminum housing - Backward inclined all aluminum wheel -
 Two piece top cap with stainless steel quick release latches
 (Sizes 120-300) - Welded curb cap corners - Birdscreen -
 Permanently lubricated ball bearing motors - Corrosion resistant
 fasteners - Transit tested packaging.

ACCESSORIES

- DISCONNECT SWITCH
- GRAVITY BACKDRAFT DAMPER
- MOTORIZED BACKDRAFT DAMPER
- RCG GALVANIZED CURB
- RCA ALUMINUM CURB
- FAN SPEED CONTROL
- EPOXY COATING
- ANTI-CONDENSATE COATING
- HINGED BASE
- GREASE TERMINATOR
- LESS BIRDSCREEN
- VFD

QTY	MARK	CATALOG NUMBER	FAN INFORMATION			MOTOR INFORMATION					ACCESSORIES	
			CFM	SP	RPM	HP	VOLTS	HZ	PH	TYPE		

**MOTOR TYPE: ODP (OPEN DRIP-PROOF); X-PRF:(EXPLOSION PROOF)
 TEFC (TOTALLY ENCLOSED FAN COOLED).**