



# COOK ACRU-B/ACRU-HP/ACRU-XP

DATE: \_\_\_\_\_  
 PROJECT: \_\_\_\_\_  
 LOCATION: \_\_\_\_\_



Upblast Centrifugal  
 Exhaust Ventilator

Hurricane / Missile Impact Resistant



Roof Mounted/Belt Drive

## DIMENSION DATA

Size	A	B	C			D	G	T Sq.	Ship Wt.	Roof Opening Sq.*
			ACRU-B	ACRU-HP	ACRU-XP					
100	12-1/2	25-1/4	20-3/16	-	-	16-1/2	2	18	30	13-1/2
120	19-1/16	30-3/16	28-1/4	-	-	20-1/8	2	20	61	15-1/2
135	19-1/16	30-3/16	28-5/8	-	-	20-1/8	2	20	66	15-1/2
150	20-15/16	34-11/16	30-1/4	27-1/2	-	23-9/16	2	24	77	19-1/2
165	20-15/16	34-11/16	30-3/4	27-3/4	26-11/16	23-9/16	2	24	83	19-1/2
180	24-13/16	39-7/16	35-7/8	33-3/8	31-9/16	25-7/8	3	30	100	25-1/2
195	24-13/16	39-7/16	36-3/8	33-1/2	32-1/8	25-7/8	3	30	110	25-1/2
210	25-15/16	45-1/4	38-3/8	35-3/8	32-3/4	29-5/8	3	30	220	25-1/2
225	25-15/16	45-1/4	38-1/8	35-1/2	33-5/16	29-5/8	3	30	242	25-1/2
245	28-1/2	49-1/4	41-1/16	37-5/16	34-1/16	32-5/8	3	30	264	25-1/2
270	28-1/2	49-1/4	41-1/16	37-5/16	35	35-5/8	3	36	286	31-1/2
300	33-7/8	54-1/4	49-15/16	45-15/16	41-7/16	39-1/8	3	36	336	31-1/2

ALL DIMENSIONS IN INCHES. WEIGHTS IN LBS., LESS MOTOR.  
 \* ROOF OPENING SIZE FOR CURBS SUPPLIED BY COOK ONLY.

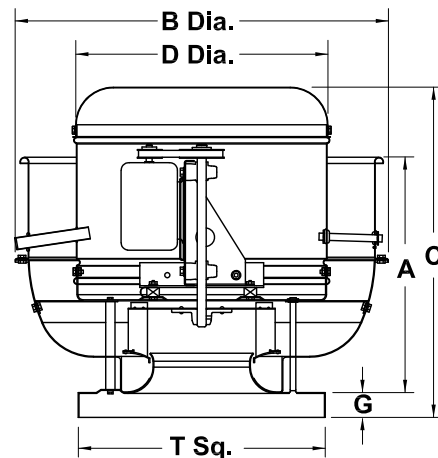
## MIAMI-DADE COUNTY, FLORIDA

Notice of Acceptance (NOA) Number 17-0925.02/11-13-2023

- TAS-201: Large Missile Impact Test
- TAS-202: Uniform Static Air Pressure Test
- TAS-203: Cyclic Wind Pressure Test

## STANDARD CONSTRUCTION FEATURES:

All aluminum housing - Backward inclined all aluminum wheel - Removable top cap - One piece bottom spinning - Welded curb cap corners - Birdscreen - Vibration isolators - Lifting lugs - Permanently lubricated ball bearing motors - Static resistant belts - Adjustable pitch drives through 5 hp motor - Corrosion resistant fasteners - Regreasable bearings in a cast iron pillow block housing rated at 200,000 hours average life - All fans factory adjusted to specified fan RPM - Transit tested packaging - Standard motors ship factory installed.



## ACCESSORIES

- |                               |                            |
|-------------------------------|----------------------------|
| 1. DISCONNECT SWITCH          | 8. LORENIZED COATING       |
| 2. GRAVITY BACKDRAFT DAMPER   | 9. ANTI-CONDENSATE COATING |
| 3. MOTORIZED BACKDRAFT DAMPER | 10. HINGED BASE            |
| 4. RCG GALVANIZED CURB        | 11. GREASE TERMINATOR      |
| 5. RCA ALUMINUM CURB          | 12. LESS BIRDSCREEN        |
| 6. EPOXY COATING              | 13. TYPE "A" CONSTRUCTION  |
| 7. EPOXY PHENOLIC COATING     | 14. SPECIAL                |

QTY	MARK	CATALOG NUMBER	FAN INFORMATION			MOTOR INFORMATION					ACCESSORIES						
			CFM	SP	RPM	HP	VOLTS	HZ	PH	TYPE							

MOTOR TYPE: ODP (OPEN DRIP-PROOF); 2 SP (2 SPEED);  
 X-PRF (EXPLOSION PROOF); TEFC (TOTALLY ENCLOSED FAN COOLED).

AC010R02