



COOK ACSC/ACSC-HP/ACSC-XP

DATE: _____
 PROJECT: _____
 LOCATION: _____



**Upblast Centrifugal
 Exhaust Ventilator**

Hurricane / Missile Impact Resistant



Roof Mounted/Belt Drive

DIMENSION DATA

Size	A	B	C			D	G	T Sq.	Roof Opening Sq.*
			ACSC	ACSC-HP	ACSC-XP				
100	12-1/2	25-1/4	20-3/16	-	-	16-1/2	2	18	13-1/2
120	19-1/16	30-3/16	28-1/4	-	-	20-1/8	2	20	15-1/2
135	19-1/16	30-3/16	28-5/8	-	-	20-1/8	2	20	15-1/2
150	20-15/16	34-11/16	30-1/4	27-1/2	-	23-9/16	2	24	19-1/2
165	20-15/16	34-11/16	30-3/4	27-3/4	26-11/16	23-9/16	2	24	19-1/2
180	24-13/16	39-7/16	35-7/8	33-3/8	31-9/16	25-7/8	3	30	25-1/2
195	24-13/16	39-7/16	36-3/8	33-1/2	32-1/8	25-7/8	3	30	25-1/2
210	25-15/16	45-1/4	38-3/8	35-3/8	32-3/4	29-5/8	3	30	25-1/2
225	25-15/16	45-1/4	38-1/8	35-1/2	33-5/16	29-5/8	3	30	25-1/2
245	28-1/2	49-1/4	41-1/16	37-5/16	34-1/16	32-5/8	3	30	25-1/2
270	28-1/2	49-1/4	41-1/16	37-5/16	35	35-5/8	3	36	31-1/2
300	33-7/8	54-1/4	49-15/16	45-15/16	41-7/16	39-1/8	3	36	31-1/2

ALL DIMENSIONS IN INCHES. WEIGHTS IN LBS., LESS MOTOR.
 * ROOF OPENING SIZE FOR CURBS SUPPLIED BY COOK ONLY.

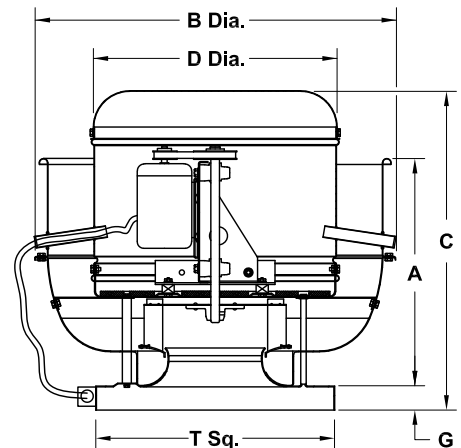
MIAMI-DADE COUNTY, FLORIDA

Notice of Acceptance (NOA) Number 17-0925.02/11-13-2023

- TAS-201: Large Missile Impact Test
- TAS-202: Uniform Static Air Pressure Test
- TAS-203: Cyclic Wind Pressure Test

STANDARD CONSTRUCTION FEATURES:

Aluminum spun housing - Backward inclined all steel wheel -
 Removable top cap - One piece bottom spinning - Steel curb cap with welded corners -
 Birdscreen - Lifting Lugs - Permanently lubricated ball bearing motors - Dual static
 Resistant Belts - sized for 150% of motor horsepower - Adjustable pitch drives
 through 5 hp motor - Corrosion resistant fasteners - Regreasable
 bearings in cast iron pillow block housing, rated at 200,000 hours average
 life - All fans factory adjusted to specified fan RPM - Transit tested
 packaging - Standard motors ship factory installed.



UL LISTED AS: "POWER VENTILATORS FOR SMOKE CONTROL SYSTEMS".

UL LISTED AND DESIGNED TO WITHSTAND TEMPERATURES OF
 500°F. FOR 4 HOURS AND 1000°F. FOR 15 MINUTES.

ACCESSORIES

1. DISCONNECT SWITCH
2. RCG GALVANIZED CURB
3. EPOXY COATING W/UV
4. EPOXY PHENOLIC COATING
5. LORENIZED COATING
6. HINGED BASE

QTY	MARK	CATALOG NUMBER	FAN INFORMATION			MOTOR INFORMATION					ACCESSORIES	
			CFM	SP	RPM	HP	VOLTS	HZ	PH	TYPE		

MOTOR TYPE: ODP (OPEN DRIP-PROOF); 2 SP (2 SPEED);
TEFC (TOTALLY ENCLOSED FAN COOLED); X-PRF (EXPLOSION PROOF).

AC011R02