



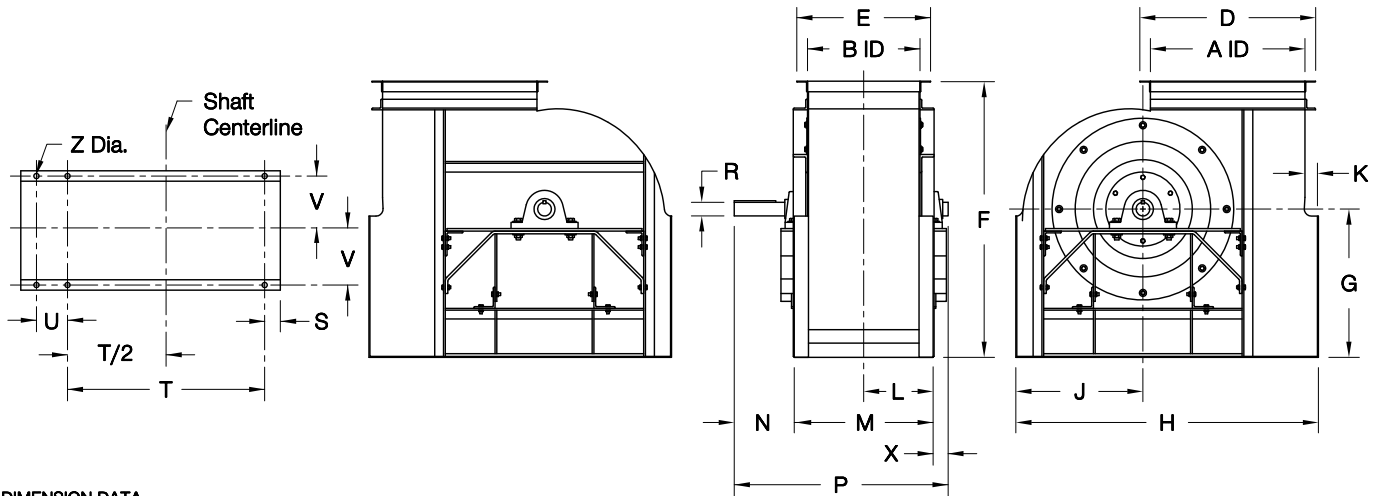
COOK

CA SWSI

DATE: _____
 PROJECT: _____
 LOCATION: _____



Airfoil Centrifugal Blower
Clockwise Up Blast
Arrangement 3



DIMENSION DATA

Size	A	B	D	E	F	G	H	J	K	L	M	N
120	13-1/8	9-3/16	16-5/16	12-3/8	23-3/8	13	25-3/4	10-11/16	2	6-5/8	13-3/16	4-5/8
135	14-3/4	10-5/16	17-15/16	13-1/2	25-5/8	14	28-3/4	12-1/16	2	7-3/16	14-5/16	4-5/8
150	16-7/16	11-7/16	19-5/8	14-5/8	27-15/16	15	31-5/8	13-5/16	2	7-3/4	15-7/16	4-5/8
165	18-1/16	12-5/8	21-1/4	15-13/16	31-1/4	17	34-5/8	14-11/16	2	8-5/16	16-5/8	5-5/8
180	19-11/16	13-3/4	22-7/8	16-15/16	33-1/2	18	37-1/8	15-9/16	2	8-7/8	17-3/4	6-1/8
195	21-5/16	14-15/16	24-1/2	18-3/16	36-13/16	20	40	16-13/16	2	9-1/2	18-15/16	6-1/8
210	23	16-1/16	26-3/16	19-5/16	39-1/8	21	42-7/8	18	2	10-1/16	20-1/16	6-5/8
225	24-5/8	17-3/16	27-13/16	20-7/16	42-3/8	23	45-3/4	19-1/4	2	10-5/8	21-3/16	6-5/8
245	26-13/16	18-3/4	30	22	46-1/8	25	49-1/2	20-7/8	2	11-3/8	22-3/4	7-5/8
270	29-9/16	20-5/8	32-3/4	23-7/8	50-1/4	27	54-3/4	23-3/8	2	12-5/16	24-5/8	8-1/8
300	32-13/16	22-15/16	36	26-3/16	55-7/8	30	60	25-3/8	2	13-1/2	26-15/16	8-5/8
330	36-1/8	25-1/4	40-5/16	29-7/16	61-3/8	33	65-3/4	27-7/8	2	14-5/8	29-1/4	9-1/8
365	39-15/16	27-7/8	44-3/16	32-1/16	67-7/16	36	72-3/8	30-5/8	2	15-15/16	31-7/8	9-5/8
402	44-1/16	30-3/4	48-5/16	34-15/16	74-11/16	40	80-3/8	33-5/8	3	18-3/8	36-3/4	9-3/16
445	48-11/16	34	52-15/16	38-3/16	82-5/16	44	88-1/2	37-1/8	3	20	40	9-11/16
490	53-5/8	37-7/16	57-7/8	41-5/8	90-3/16	48	97	40-3/4	3	21-3/4	43-7/16	10-11/16
540	59-1/16	41-1/4	63-5/16	45-7/16	99-1/2	53	106-5/8	44-7/8	3	23-5/8	47-1/4	12-3/16
600	65-5/8	45-13/16	70	50-3/16	110-11/16	59	118	49-3/4	3	25-15/16	51-13/16	12-3/4
660	72-3/16	50-7/16	76-9/16	54-13/16	121-7/8	65	129-3/8	54-5/8	3	28-1/4	56-7/16	14-1/4
730	79-7/8	55-3/4	84-1/4	60-1/8	134-7/8	72	142-5/8	60-1/4	3	30-7/8	61-3/4	14-3/4

Size	P	R			S	T	U	V	X	Z	Ship. Wt. *
		Class I	Class II	Class III							
120	19-7/16	1	1	1-3/16	3-3/16	15	-	5-3/4	1-5/8	11/16	161
135	20-9/16	1	1	1-3/16	3-9/16	17	-	6-5/16	1-5/8	11/16	200
150	21-11/16	1	1	1-3/16	4-5/16	18	-	6-7/8	1-5/8	11/16	242
165	23-7/8	1	1	1-7/16	4-7/16	20	-	7-7/16	1-5/8	11/16	288
180	25-1/2	1-3/16	1-7/16	1-11/16	4-9/16	22	-	8	1-5/8	11/16	337
195	26-11/16	1-7/16	1-7/16	1-11/16	5-5/16	23	9	8-5/8	1-5/8	11/16	390
210	28-5/16	1-7/16	1-7/16	1-11/16	6	24	10	9-3/16	1-5/8	13/16	446
225	29-7/16	1-7/16	1-7/16	1-11/16	6-3/4	25	10	9-3/4	1-5/8	13/16	505
245	32-1/2	1-7/16	1-11/16	1-15/16	7-3/8	27	11	10-1/2	2-1/8	13/16	590
270	34-7/8	1-7/16	1-11/16	1-15/16	8-3/8	30	12	11-7/16	2-1/8	13/16	704
300	37-11/16	1-11/16	1-15/16	2-3/16	8-7/8	33	14	12-5/8	2-1/8	13/16	853
330	40-1/2	1-11/16	2-3/16	2-3/16	9-7/8	36	16	13-3/4	2-1/8	13/16	1014
365	43-5/8	1-15/16	2-7/16	2-7/16	10-5/8	40	17	15-1/16	2-1/8	13/16	1218
402	47-1/8	1-15/16	2-7/16	2-11/16	11-5/8	44	20	17-1/8	1-3/16	1-1/16	1452
445	50-7/8	1-15/16	2-11/16	2-15/16	13-1/8	48	23	18-3/4	1-3/16	1-1/16	1747
490	55-13/16	2-3/16	2-11/16	2-15/16	14-1/4	53	26	20-1/2	1-11/16	1-1/16	2081
540	62-1/8	2-7/16	2-15/16	3-7/16	15-7/8	58	29	22-3/8	2-11/16	1-1/16	2484
600	67-5/16	2-11/16	3-7/16	3-15/16	17-3/4	64	32	24-5/8	2-3/4	1-1/16	3008
660	74-7/16	3-7/16	3-15/16	4-7/16	19-5/8	70	36	27	3-3/4	1-1/16	3577
730	80-1/4	3-7/16	3-15/16	4-7/16	21-3/4	77	40	29-5/8	3-3/4	1-1/16	4297

ALL DIMENSIONS IN INCHES. WEIGHTS IN LBS., LESS MOTOR. * BASED ON CLASS I CONSTRUCTION.

CA405R02