

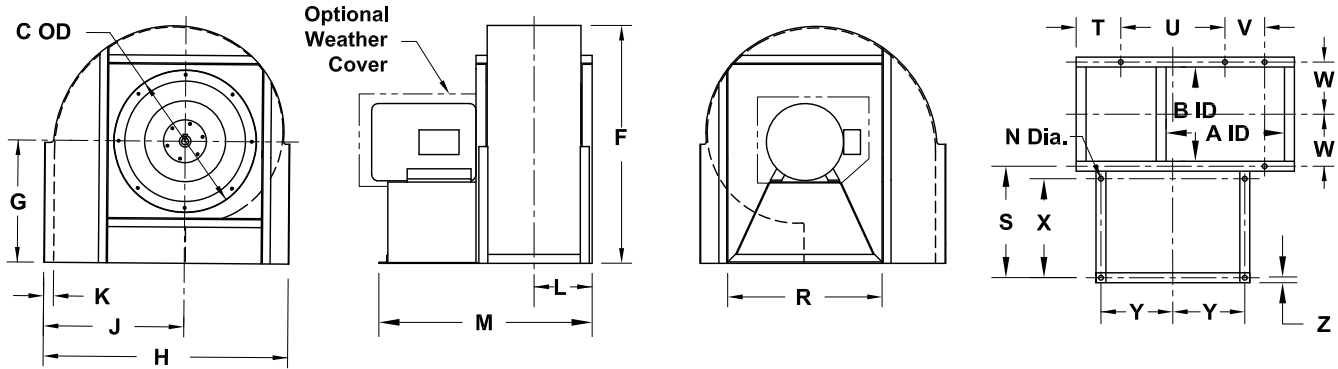
DATE: \_\_\_\_\_

PROJECT: \_\_\_\_\_

LOCATION: \_\_\_\_\_



## Airfoil Centrifugal Blower Clockwise Downblast Arrangement 4



### DIMENSION DATA

| Size | A        | B        | C        | F        | G  | H       | J        | K | L        | M        | N      |
|------|----------|----------|----------|----------|----|---------|----------|---|----------|----------|--------|
| 120  | 13-1/8   | 9-3/16   | 16-1/8   | 24-3/8   | 13 | 25-3/4  | 15-1/16  | 2 | 6-5/8    | 23-3/4   | 11/16  |
| 135  | 14-3/4   | 10-5/16  | 17-5/8   | 25-9/16  | 14 | 28-3/4  | 16-11/16 | 2 | 7-3/16   | 24-7/8   | 11/16  |
| 150  | 16-7/16  | 11-7/16  | 19-1/8   | 29-1/4   | 15 | 31-5/8  | 18-5/16  | 2 | 7-3/4    | 28-1/4   | 11/16  |
| 165  | 18-1/16  | 12-5/8   | 21-3/16  | 32-5/8   | 17 | 34-3/8  | 19-15/16 | 2 | 8-5/16   | 29-3/8   | 11/16  |
| 180  | 19-11/16 | 13-3/4   | 22-11/16 | 35-1/8   | 18 | 37-1/8  | 21-9/16  | 2 | 8-7/8    | 34-1/4   | 11/16  |
| 195  | 21-5/16  | 14-15/16 | 24-3/16  | 38-1/2   | 20 | 40      | 23-3/16  | 2 | 9-1/2    | 35-1/2   | 11/16  |
| 210  | 23       | 16-1/16  | 25-15/16 | 40-15/16 | 21 | 42-7/8  | 24-7/8   | 2 | 10-1/16  | 36-5/8   | 13/16  |
| 225  | 24-5/8   | 17-3/16  | 27-7/16  | 44-3/8   | 23 | 45-3/4  | 26-1/2   | 2 | 10-5/8   | 39-1/4   | 13/16  |
| 245  | 26-13/16 | 18-3/4   | 29-7/16  | 48-1/4   | 25 | 49-1/2  | 28-5/8   | 2 | 11-3/8   | 42-1/4   | 13/16  |
| 270  | 29-9/16  | 20-5/8   | 31-15/16 | 50-1/8   | 27 | 54-3/4  | 31-3/8   | 2 | 12-5/16  | 45       | 13/16  |
| 300  | 32-13/16 | 22-15/16 | 34-15/16 | 58-1/2   | 30 | 60      | 34-5/8   | 2 | 13-1/2   | 47-3/8   | 13/16  |
| 330  | 36-1/8   | 25-1/4   | 37-15/16 | 64-3/8   | 33 | 65-3/4  | 37-7/8   | 2 | 14-5/8   | 51-7/8   | 13/16  |
| 365  | 39-15/16 | 27-7/8   | 41-7/16  | 70-5/8   | 36 | 72-3/8  | 41-3/4   | 2 | 15-15/16 | 58       | 13/16  |
| 402  | 44-1/16  | 30-3/4   | 45-3/16  | 78-1/4   | 40 | 80-3/8  | 46-3/4   | 3 | 18-3/8   | 62-15/16 | 1-1/16 |
| 445  | 48-11/16 | 34       | 49-7/16  | 86-1/4   | 44 | 88-1/2  | 51-3/8   | 3 | 20       | 74-11/16 | 1-1/16 |
| 490  | 53-5/8   | 37-7/16  | 55       | 94-1/2   | 48 | 97      | 56-1/4   | 3 | 21-3/4   | 78-3/16  | 1-1/16 |
| 540  | 59-1/16  | 41-1/4   | 60       | 104-1/4  | 53 | 106-5/8 | 61-3/4   | 3 | 23-5/8   | 81-15/16 | 1-1/16 |
| 600  | 65-5/8   | 45-13/16 | 66       | 116      | 59 | 118     | 68-1/4   | 3 | 25-15/16 | 86-7/16  | 1-1/16 |
| 660  | 72-3/16  | 50-7/16  | 72       | 121-5/8  | 65 | 129-3/8 | 74-3/4   | 3 | 28-1/4   | 91-3/16  | 1-1/16 |
| 730  | 79-7/8   | 55-3/4   | 79       | 141-5/16 | 72 | 142-5/8 | 82-3/8   | 3 | 30-7/8   | 96-7/16  | 1-1/16 |

| Size | R      | S        | T      | U  | V  | W       | X      | Y        | Z   | Max Mtr Frame |
|------|--------|----------|--------|----|----|---------|--------|----------|-----|---------------|
| 120  | 18-3/8 | 10-5/8   | 3-3/16 | 15 | -  | 5-3/4   | 8-1/4  | 8-7/16   | 3/4 | 182T          |
| 135  | 19-7/8 | 10-5/8   | 3-9/16 | 17 | -  | 6-5/16  | 8-1/4  | 9-3/16   | 3/4 | 184T          |
| 150  | 21-3/8 | 12-7/8   | 4-5/16 | 18 | -  | 6-7/8   | 10-1/2 | 9-15/16  | 3/4 | 215T          |
| 165  | 23-3/8 | 12-7/8   | 4-7/16 | 20 | -  | 7-7/16  | 10-1/2 | 10-15/16 | 3/4 | 215T          |
| 180  | 24-7/8 | 16-5/8   | 4-9/16 | 22 | -  | 8       | 14-1/4 | 11-11/16 | 3/4 | 256T          |
| 195  | 26-3/8 | 16-5/8   | 5-5/16 | 23 | 9  | 8-5/8   | 14-1/4 | 12-7/16  | 3/4 | 256T          |
| 210  | 28-1/8 | 16-5/8   | 6      | 24 | 10 | 9-3/16  | 14-1/4 | 13-5/16  | 3/4 | 256T          |
| 225  | 29-5/8 | 18-1/8   | 6-3/4  | 25 | 10 | 9-3/4   | 15-3/4 | 14-1/16  | 3/4 | 284T          |
| 245  | 31-5/8 | 19-5/8   | 7-3/8  | 27 | 11 | 10-1/2  | 17-1/4 | 15-1/16  | 3/4 | 324T          |
| 270  | 34-3/8 | 20-1/2   | 8-3/8  | 30 | 12 | 11-7/16 | 18-1/8 | 16-7/16  | 3/4 | 364T          |
| 300  | 37-3/8 | 20-1/2   | 8-7/8  | 33 | 14 | 12-5/8  | 18-1/8 | 17-15/16 | 3/4 | 365T          |
| 330  | 40-3/8 | 22-3/4   | 9-7/8  | 36 | 16 | 13-3/4  | 20-3/8 | 19-7/16  | 3/4 | 404T          |
| 365  | 44-7/8 | 26-1/4   | 10-5/8 | 40 | 17 | 15-1/16 | 24     | 21-11/16 | 3/4 | 444T          |
| 402  | 48-3/4 | 26-7/16  | 11-5/8 | 44 | 20 | 17-1/8  | 24     | 23-3/8   | 1   | 445T          |
| 445  | 53     | 34-15/16 | 13-1/8 | 48 | 23 | 18-3/4  | 32-1/2 | 25-1/2   | 1   | 449T          |
| 490  | 58-1/2 | 34-15/16 | 14-1/4 | 53 | 26 | 20-1/2  | 32-1/2 | 28-1/4   | 1   | 449T          |
| 540  | 63-1/2 | 34-15/16 | 15-7/8 | 58 | 29 | 22-3/8  | 32-1/2 | 30-3/4   | 1   | 449T          |
| 600  | 69-1/2 | 34-15/16 | 17-3/4 | 64 | 32 | 24-5/8  | 32-1/2 | 33-3/4   | 1   | 449T          |
| 660  | 75-1/2 | 34-15/16 | 19-5/8 | 70 | 36 | 27      | 32-1/2 | 36-3/4   | 1   | 449T          |
| 730  | 82-1/2 | 34-15/16 | 21-3/4 | 77 | 40 | 29-5/8  | 32-1/2 | 40-1/4   | 1   | 449T          |

ALL DIMENSIONS IN INCHES.

### FOR REDUCED WIDTH WHEELS

- B' = B - (Unit Size X 0.030 X Percent Reduced)
- E' = E - (Unit Size X 0.030 X Percent Reduced)
- L' = L - (Unit Size X 0.015 X Percent Reduced)
- M' = M - (Unit Size X 0.030 X Percent Reduced)
- W' = W - (Unit Size X 0.015 X Percent Reduced)

### EXAMPLE: Size 300 Reduced 20%

- B' = 22.9375 - (300 X 0.030 X 0.20)
- B' = 22.9375 - (1.80)
- B' = 21.1375 OR 21-1/8