



# COOK

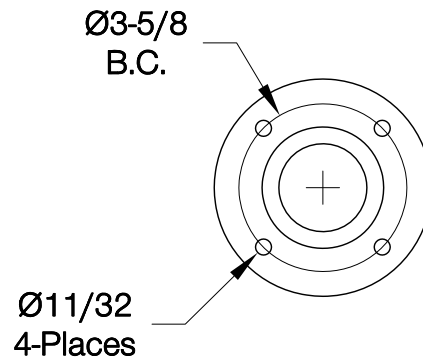
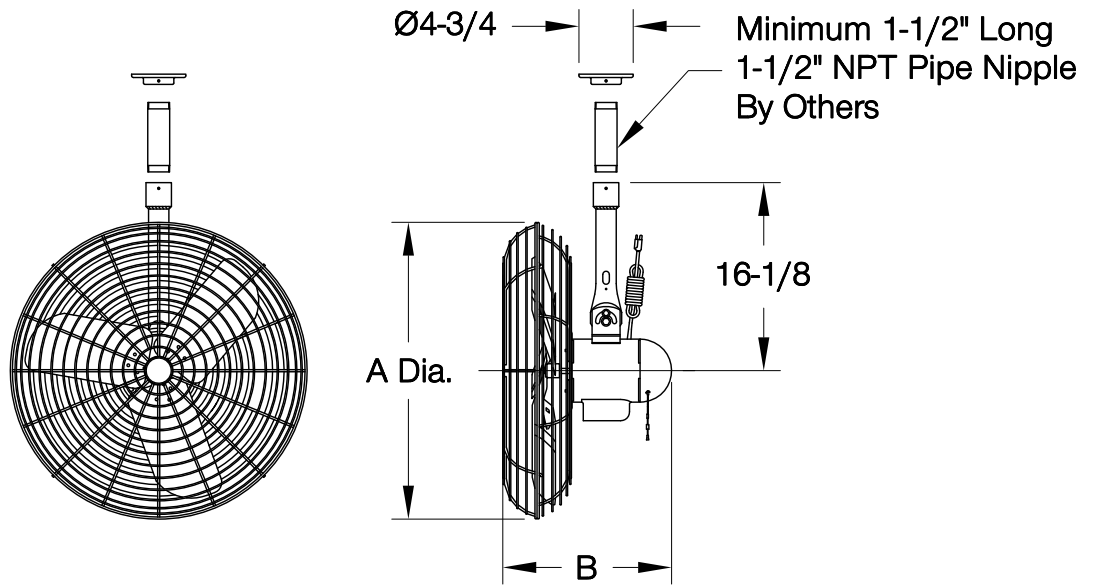
# CAC-ACH

DATE: \_\_\_\_\_

PROJECT: \_\_\_\_\_

LOCATION: \_\_\_\_\_

**Air Circulator  
Commercial Duty  
Ceiling Mounted**



**DIMENSION DATA**

| Size | A      | B      | Ship Wt. |
|------|--------|--------|----------|
| 24   | 27     | 14-1/2 | 43       |
| 30   | 33-1/2 | 14-1/2 | 47       |

ALL DIMENSIONS IN INCHES. WEIGHTS IN LBS.

**STANDARD CONSTRUCTION FEATURES:**

Aluminum paddle with steel hub/spider propeller – Locking tilt powder coated ceiling mounting bracket – OSHA compliant double locking, chrome plated steel wire guard – Two-speed, totally enclosed permanently lubricated ball bearing motor w/pull cord style operating switch – Factory pre-wired 12 foot cord

**Ceiling Mount Hole Pattern**

| QTY | MARK | CATALOG NUMBER |
|-----|------|----------------|
|     |      |                |