



# COOK

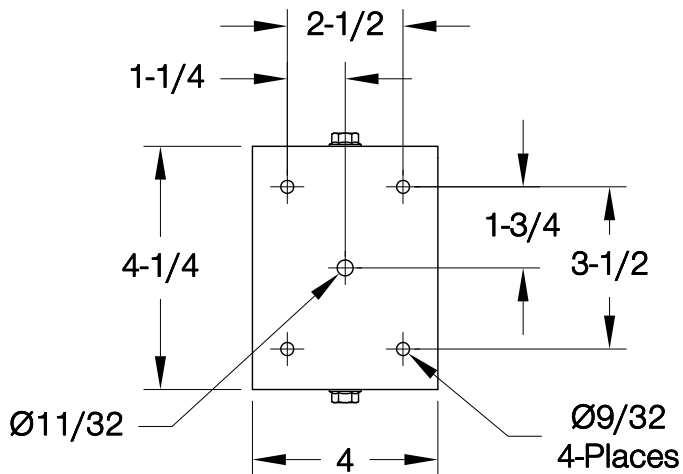
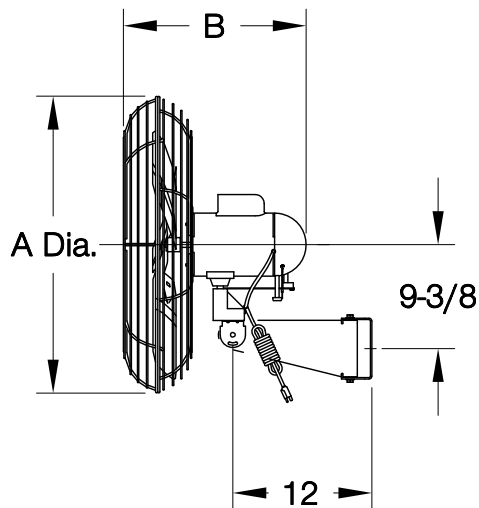
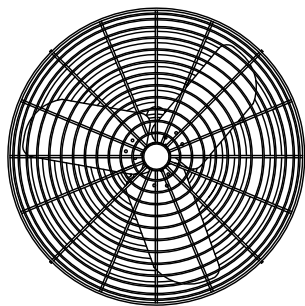
# CAC-ACHO

DATE: \_\_\_\_\_

PROJECT: \_\_\_\_\_

LOCATION: \_\_\_\_\_

**Oscillating Air Circulator  
Commercial Duty  
Wall Mounted**



**DIMENSION DATA**

Size	A	B	C		D	Ship Wt.
			Min.	Max.		
24	27	14-1/2	69-1/8	95-1/8	27	78
30	33-1/2	14-1/2	72-3/8	98-3/8	27	82

ALL DIMENSIONS IN INCHES. WEIGHTS IN LBS.

**STANDARD CONSTRUCTION FEATURES:**

Aluminum paddle with steel hub/spider propeller – Oscillating fan head, oscillates in a 90 degree arc or can be locked in position – Maximum 30 degree downward tilt – Locking tilt powder coated wall mounting bracket – OSHA compliant double locking, chrome plated steel wire guard – Two-speed, totally enclosed permanently lubricated ball bearing motor w/pull cord style operating switch – Factory pre-wired 12 foot cord

**Wall Mount Hole Pattern**

QTY	MARK	CATALOG NUMBER