

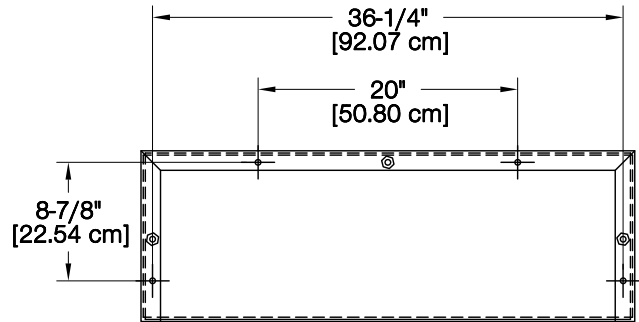
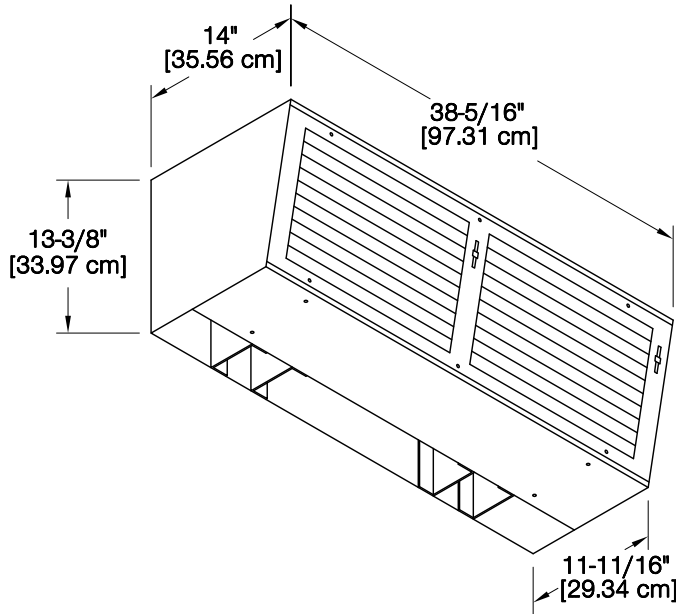
COOK

AIR CURTAIN

DATE: _____
 PROJECT: _____
 LOCATION: _____

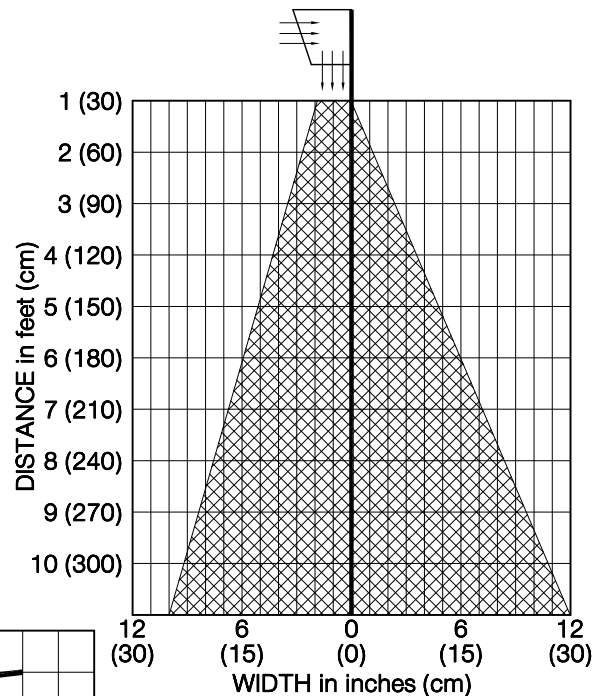


**Air Curtain
 Forward Curve Wheel
 Direct Drive**



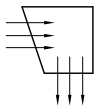
Mounting Hole Locations

WIDTH vs. DISTANCE

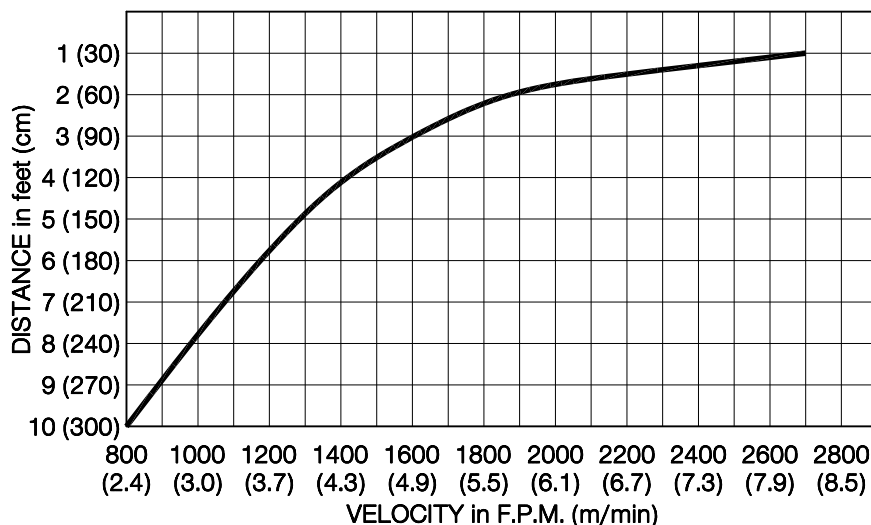


STANDARD CONSTRUCTION FEATURES:

All Aluminum Outer Housing – Painted, Adjustable Intake Louver –
 Bottom Discharge With Adjustable Flow-Directing Vanes –
 1/2 HP 120V 1PH Motor With Thermal Overload Protection



VELOCITY vs. DISTANCE
 MOTOR: 115 V, 1/2 HP FAN RPM: 1625



Model AC-170-1		
Intake Louver Position	Max F.P.M. (m/min) Nozzle	Max C.F.M. (f/sec) Nozzle
Full Open	3500(1067)	3234(1526)
1/4 Closed	2975(907)	2749(1298)
1/2 Closed	2700(823)	2495(1178)
3/4 Closed	2200(671)	2033(960)