



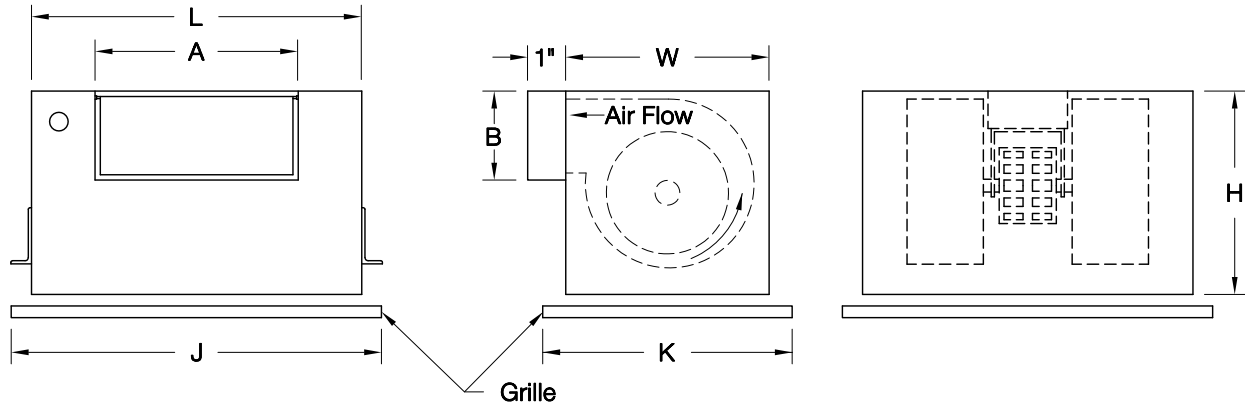
# COOK

# GEMINI

DATE: \_\_\_\_\_  
 PROJECT: \_\_\_\_\_  
 LOCATION: \_\_\_\_\_



**Ceiling and Wall Blowers**  
**800-900 Series**



**DIMENSION DATA**

Model No.	Housing			Outlet		Standard Grille		Deluxe Aluminum Grille		Ship Wt.
	L	W	H	A	B	J	K	J	K	
822,842,862	27	14-11/16	14-11/16	20	6	31-3/8	17-1/8	28-3/4	16-1/4	74
920,940,960	31	14-11/16	14-11/16	24-1/4	6	35-1/8	17-1/8	32-3/4	16-1/4	86

ALL DIMENSIONS IN INCHES. WEIGHTS IN LBS.

**ACCESSORIES**

1. FAN SPEED CONTROL (FSC)
2. ROOF JACK
3. ROOF CAP
4. WALL CAP
5. EAVE ELBOW
6. DELUXE ALUMINUM GRILLE
7. FILTER
8. BRICK VENT
9. CEILING RADIATION DAMPER
10. HANGING VIBRATION ISOLATOR
11. TIME DELAY SWITCH
12. 277 VOLT TRANSFORMER

**STANDARD CONSTRUCTION FEATURES:**

Forward curved galvanized steel fan wheels – Corrosion resistant galvanized steel fan housing – Acoustically insulated housing – Aluminum backdraft damper with solid aluminum hinge rod mounted in brass bushings – Permanently lubricated motor with built-in thermal overload protection and disconnect plug – Interchangeable panels with removable fasteners allows the discharge to be easily changed – Internal wiring box with disconnect receptacle – Powder-painted white white steel grille.

**CATALOG NUMBER DEFINITION:**

GC-220

└─ Series: 220,240,320...  
 └─ TYPE: GC = Ceiling & Wall (includes Grille)

QTY	MARK	CATALOG NUMBER (see above)	FAN INFORMATION			MOTOR INFORMATION					ACCESSORIES							
			CFM	SP	RPM	HP	VOLTS	HZ	PH	TYPE								

**MOTOR TYPE:** ODP (OPEN DRIP-PROOF); TENV (TOTALLY ENCLOSED NON-VENTILATING).

**GM014R01**