



COOK

GEMINI

DATE: _____

Accessory Data Sheet

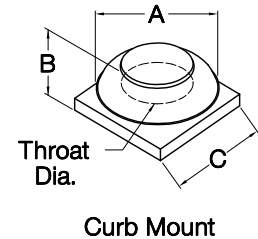
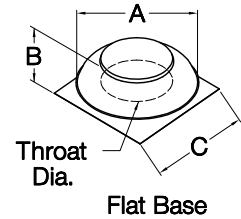
PROJECT: _____

LOCATION: _____

ROOF CAP

DIMENSION DATA

Model No.	Type	Series	A	B	C	Throat Dia.	Ship Wt. Alum.
PR8	Curb Mount	Gemini 100	18-1/4	10-1/8	18	8-19/32	20
PR8F	Flat Base	200-500	18-1/4	8-1/8	18	8-19/32	20
PR12	Curb Mount	Gemini	28-1/4	10-5/16	20	12-1/2	30
PR12F	Flat Base	600-700	28-1/4	8-5/16	20	12-1/2	30
PR16	Curb Mount	Gemini	28-1/4	12-5/8	28	16-1/2	35
PR16F	Flat Base	800-900	28-1/4	10-5/8	28	16-1/2	35
PR20	Curb Mount	Gemini	36-1/2	13-5/8	32	20-1/2	80
PR20F	Flat Base	1000-2000	36-1/2	11-5/8	32	20-1/2	80



ALL DIMENSIONS IN INCHES. WEIGHTS IN LBS.

STANDARD CONSTRUCTION FEATURES:

Aluminum construction – Anti-backdraft flange – Optional birdscreen – PR8F, PR12F, PR16F, and PR20F mount directly on the roof with integral flashing – PR8, PR12, PR16, and PR20 are curb mount.

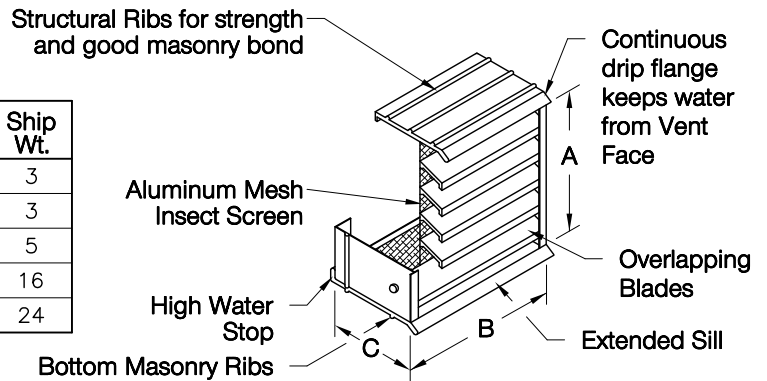
Consult factory for additional accessories.

BRICK VENT

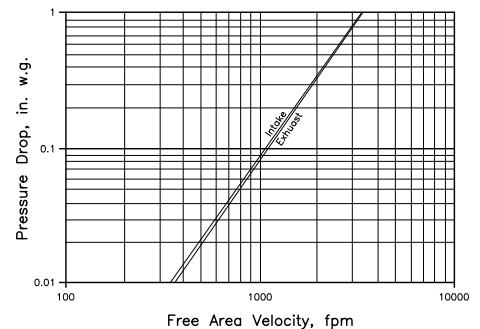
DIMENSION DATA

Model No.	Series	A	B	C	Free Area	Ship Wt.
BV1	Gemini 100	4-3/4	16-1/2	4	.196	3
BV2	200-400	4-3/4	16-1/2	4	.196	3
BV5	500-700	7-3/4	16-1/2	4	.280	5
BV8	800-1000	24	24	2	1.27	16
BV20	2000	30	30	2	1.99	24

ALL DIMENSIONS IN INCHES. WEIGHTS IN LBS.



FRAME AND BLADES ARE CONSTRUCTED FROM .125" THICK MATERIALS. DESIGNED FOR MAXIMUM PROTECTION AGAINST WATER ENTERING BUILDING WITH 4" DEEP FRAME AND 45° BLADES. THE VENTS COME STANDARD WITH CLEAR ANODIZED FINISH.



GM102R07