

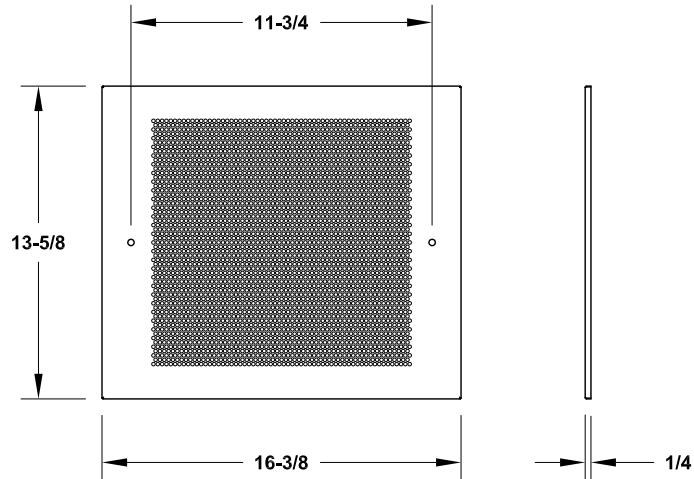
DATE: \_\_\_\_\_

Gemini 200 Grill Options

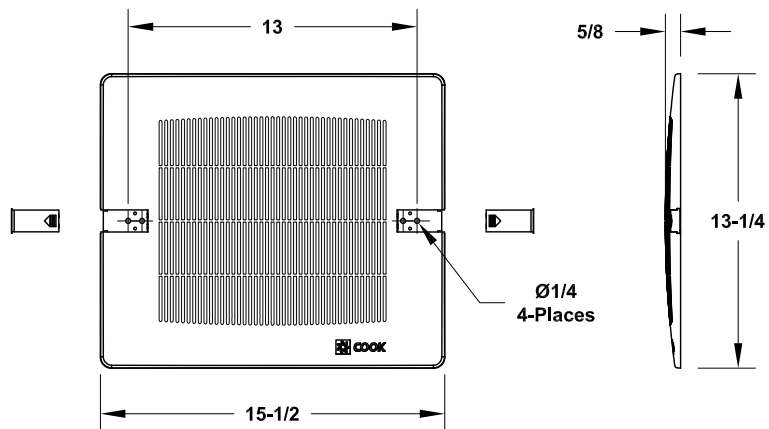
PROJECT: \_\_\_\_\_

LOCATION: \_\_\_\_\_

**STEEL**



**PLASTIC**



**ALUMINUM**

