

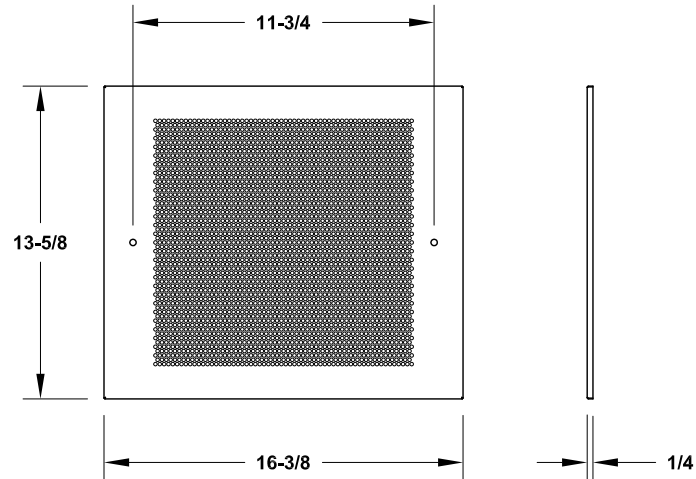
DATE: \_\_\_\_\_

PROJECT: \_\_\_\_\_

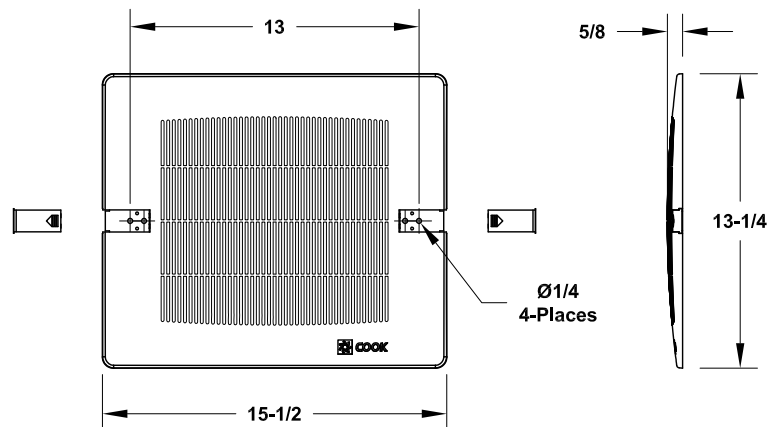
LOCATION: \_\_\_\_\_

## Gemini 300 Grill Options

### STEEL



### PLASTIC



### ALUMINUM

