

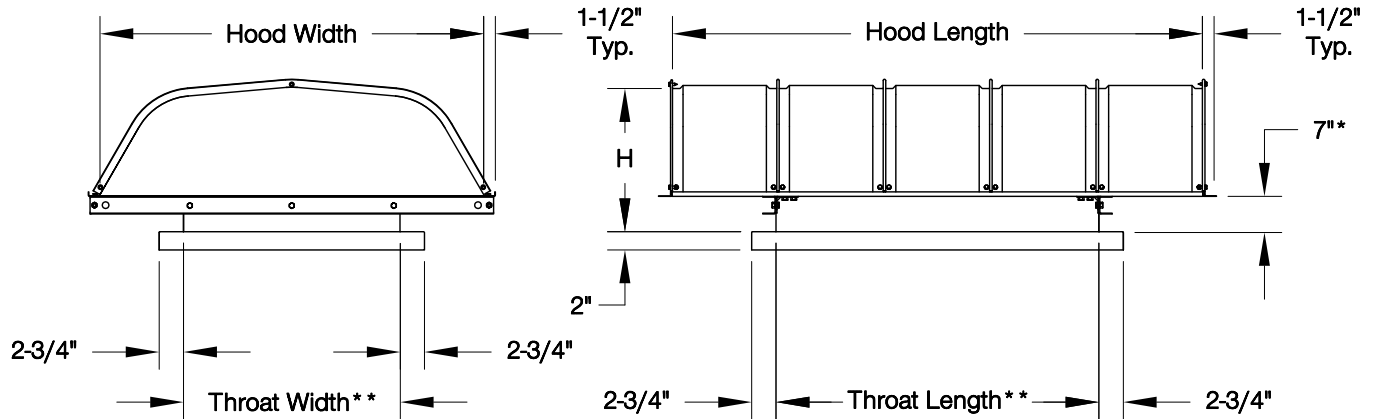


DATE: _____

Aluminum Intake Ventilator

PROJECT: _____

LOCATION: _____



STANDARD CONSTRUCTION FEATURES:

Heavy gauge aluminum construction – Birdscreen
 – Radius throat – Rain gutter – Welded curb
 cap corners – Integral lifting lugs/tie down
 points – Hinged hood standard on throat lengths
 less than 61" – Five year warranty.

*Note: Units with a throat width 24" or less have a 4" standard throat height.
 **Actual throat length and width are 1/4" greater than nominal values.

ACCESSORIES

1. GALVANIZED CONSTRUCTION
2. INSECT SCREEN
3. WASHABLE FILTERS
4. GRAVITY BACKDRAFT DAMPER
5. MOTORIZED BACKDRAFT DAMPER
6. RCG GALVANIZED ROOF CURB
7. RCA ALUMINUM ROOF CURB
8. LORENIZED FAN FINISH
9. EPOXY COATING
10. ALUMINUM BIRDSCREEN
11. ANTI-CONDENSATE COATING

GI Maximum Sizes (2 to 1 Ratio) Shipped Fully Assembled		
Width	Length	
		54
42		X
48	X	

QTY	MARK	THROAT SIZE	HOOD SIZE	HEIGHT	CFM	THROAT VELOCITY	PRESSURE DROP	ACCESSORIES			
		L X W	L X W	H							