

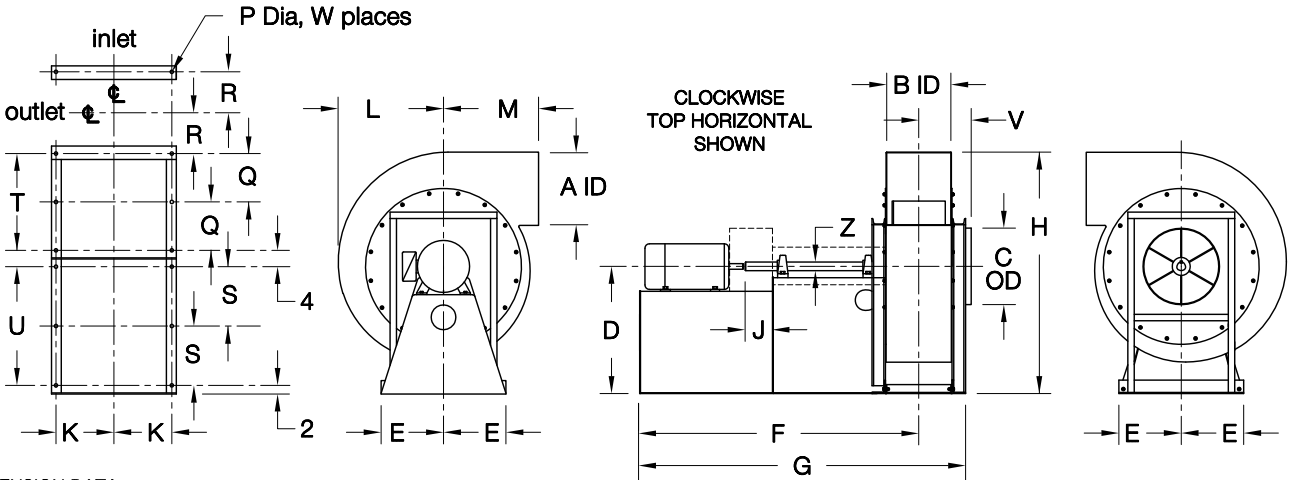
COOK

IMH

DATE: _____
 PROJECT: _____
 LOCATION: _____



**Industrial Material Handler
 Arrangement 8**



DIMENSION DATA

| Size | A | B | C | D | E | F* | G* | H | J | K | L | M | N | P | Q | R |
|------|----------|---------|----|--------|----------|----------|-----------|----------|---|----------|----------|---------|---------|-------|---------|----------|
| 70 | 6-5/8 | 5-7/8 | 7 | 14-1/4 | 9-11/16 | 49-15/16 | 55-1/8 | 24-13/16 | 4 | 9-3/16 | 9-11/16 | 8-5/16 | 10-9/16 | 9/16 | - | 4-1/4 |
| 90 | 8-7/16 | 7-1/2 | 9 | 15-1/4 | 9-11/16 | 53-9/16 | 59-9/16 | 28-3/4 | 4 | 9-3/16 | 12-5/16 | 10-5/8 | 13-1/2 | 9/16 | - | 5-1/16 |
| 110 | 10-3/8 | 9-1/8 | 11 | 18-3/4 | 9-11/16 | 57-3/4 | 65-5/8 | 35-3/16 | 4 | 9-3/16 | 15-1/16 | 13 | 16-7/16 | 9/16 | 8-1/4 | 6-1/2 |
| 130 | 12-3/16 | 10-7/8 | 13 | 21-3/4 | 11-3/4 | 61-7/16 | 70-1/8 | 41-3/16 | 5 | 11 | 17-13/16 | 15-3/8 | 19-7/16 | 11/16 | 8-3/8 | 7-3/8 |
| 150 | 14-1/16 | 12-9/16 | 15 | 25-1/4 | 13 | 69-1/4 | 78-13/16 | 47-5/8 | 5 | 12-1/2 | 20-5/8 | 17-3/4 | 22-3/8 | 11/16 | 10-3/4 | 8-7/32 |
| 170 | 16 | 14-1/4 | 17 | 28-1/4 | 13-7/8 | 74-3/16 | 84-5/8 | 53-5/8 | 6 | 13-1/8 | 23-3/4 | 20-1/8 | 25-3/8 | 11/16 | 10-3/4 | 9-1/16 |
| 190 | 17-13/16 | 15-7/8 | 19 | 31-1/4 | 15-5/16 | 77-13/16 | 89-1/8 | 59-1/2 | 6 | 14-9/16 | 25-15/16 | 22-7/16 | 28-1/4 | 11/16 | 11-3/8 | 9-15/16 |
| 210 | 19-3/4 | 17-9/16 | 21 | 34-1/2 | 16-9/16 | 85-1/2 | 97-5/8 | 65-3/4 | 6 | 15-13/16 | 28-1/2 | 23 | 31-1/4 | 11/16 | 12-3/4 | 10-21/32 |
| 230 | 21-5/8 | 19-1/4 | 23 | 37-1/2 | 18-13/16 | 89-3/8 | 103-1/2 | 71-13/16 | 7 | 17-9/16 | 31-1/4 | 26 | 34-5/16 | 13/16 | 13-7/16 | 12-5/16 |
| 260 | 24-7/16 | 21-3/4 | 26 | 41-3/4 | 20-5/8 | 94-3/16 | 108-15/16 | 82-15/16 | 7 | 19-3/8 | 35-1/8 | 29 | 41-3/16 | 13/16 | 13-7/8 | 13-9/16 |
| 290 | 27-5/16 | 24-1/4 | 29 | 46-1/2 | 22-1/2 | 96-13/16 | 113-7/16 | 92-1/2 | 8 | 21-1/4 | 39-1/2 | 31-3/4 | 45-7/8 | 13/16 | 14-3/8 | 14-13/16 |

| Size | S* | T | U* | V | W | X | Y | Z | | AA | BB | CC | Max. Motor Frame | Shipping Weight | |
|------|----------|--------|----------|----------|---|----------|----------|---------|---------|---------|----------|----------|------------------|-----------------|----------|
| | | | | | | | | SD+ | HD++ | | | | | Std Duty | Hvy Duty |
| 70 | - | 14-7/8 | 24-7/8 | 6-3/16 | 6 | 10-1/8 | 9-1/4 | 1-3/16 | 1-7/16 | 8-13/16 | 8-3/8 | 13-3/8 | 184T | 287 | 330 |
| 90 | - | 14-7/8 | 27-11/16 | 7 | 6 | 12-15/16 | 11-3/4 | 1-7/16 | 1-11/16 | 11-3/16 | 10-5/8 | 17-1/16 | 215T | 382 | 439 |
| 110 | 14-3/8 | 16-1/2 | 28-3/4 | 8-13/16 | 8 | 15-3/4 | 14-7/16 | 1-7/16 | 1-15/16 | 13-3/4 | 13-1/16 | 20-13/16 | 256T | 509 | 585 |
| 130 | 15-5/8 | 16-3/4 | 31-1/4 | 9-13/16 | 8 | 18-5/8 | 17 | 1-11/16 | 2-3/16 | 16-3/16 | 15-3/8 | 284T | 607 | 770 | |
| 150 | 16-3/4 | 21-1/2 | 33-1/2 | 10-11/16 | 8 | 21-1/2 | 19-3/4 | 1-15/16 | 2-7/16 | 18-7/8 | 18 | 28-3/8 | 286T | 864 | 994 |
| 170 | 18-13/16 | 21-1/2 | 37-5/8 | 11-1/2 | 8 | 24-9/16 | 22-1/2 | 2-3/16 | 2-7/16 | 21-1/4 | 20-1/4 | 32-3/16 | 324T | 1092 | 1255 |
| 190 | 19-9/16 | 22-3/4 | 39-1/8 | 12-5/16 | 8 | 27-1/8 | 24-7/8 | 2-7/16 | 2-15/16 | 23-3/4 | 22-5/8 | 35-13/16 | 364T | 1353 | 1555 |
| 210 | 21-5/8 | 25-1/2 | 43-1/4 | 13-3/16 | 8 | 29-7/8 | 27-1/8 | 2-7/16 | 2-15/16 | 25-3/4 | 24-3/8 | 38-3/8 | 404T | 1647 | 1894 |
| 230 | 22-1/8 | 26-7/8 | 44-1/4 | 15-1/8 | 8 | 32-13/16 | 29-13/16 | 2-11/16 | 3-7/16 | 28-5/16 | 26-13/16 | 42-5/8 | 405T | 1974 | 2270 |
| 260 | 23-1/8 | 27-3/4 | 46-1/4 | 16-3/8 | 8 | 38-3/16 | 33-1/2 | 2-11/16 | 3-7/16 | 31-7/8 | 30-1/4 | 49-5/8 | 444T | 2528 | 2907 |
| 290 | 23-5/8 | 28-3/4 | 47-1/4 | 17-5/8 | 8 | 42-11/16 | 37-5/8 | 2-15/16 | 3-7/16 | 35-3/4 | 33-7/8 | 54-7/8 | 444T | 3157 | 3630 |

ALL DIMENSIONS IN INCHES. WEIGHTS IN LBS., LESS MOTOR. * F, G, S AND U VARY WITH MOTOR SIZE, CONSULT FACTORY FOR EXACT DIMENSIONS.
 +STANDARD DUTY, ++HEAVY DUTY. +++ BASED ON MH WHEEL.

