



COOK

TLCH-D

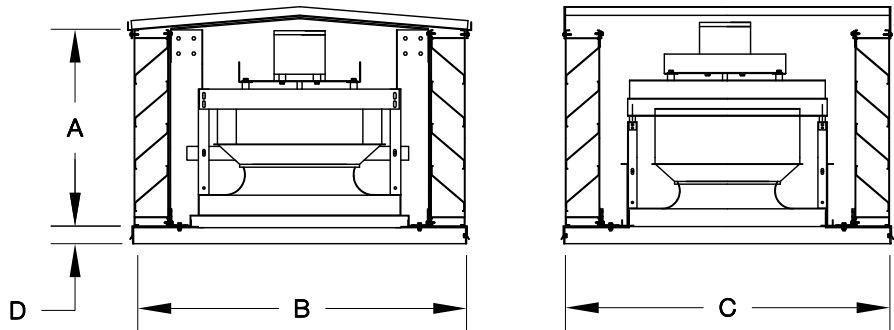
DATE: _____
 PROJECT: _____
 LOCATION: _____



**Tiered Low-Contour Downblast
 Hurricane / Missile Impact Resistant
 Centrifugal Exhaust Ventilator
 Roof Mounted/Direct Drive**

DIMENSION DATA

Size	A	B	C	D	Approx. Ship Wt.
70	31	44	48	2	170
90	31	44	48	2	170
100	31	44	48	2	170
120	31	44	48	2	235
135	31	44	48	2	235
150	31	44	48	2	250
165	31	44	48	2	250
180	37	54	58	3	320



ALL DIMENSIONS IN INCHES. WEIGHTS IN LBS., INCLUDES MOTOR.

Notice of Acceptance (NOA) Number 09-0423.06/4-22-2014

- TAS-201: Large Missile Impact Test
- TAS-202: Uniform Static Air Pressure Test
- TAS-203: Cyclic Wind Pressure Test

ACCESSORIES

1. DISCONNECT SWITCH
2. GRAVITY BACKDRAFT DAMPER
3. MOTORIZED BACKDRAFT DAMPER
4. EPOXY COATING
5. ANTI-CONDENSATE COATING
6. LIFTING LUGS

STANDARD CONSTRUCTION FEATURES:

Penthouse louvers Miami/Dade BCCO tested and approved to meet missile impact criteria (Ruskin PHBDX Penthouse) – All aluminum housing – Backward inclined all aluminum wheel – Welded curb cap corners – Removable top cap – Birdscreen – Vibration isolators – Permanently lubricated ball bearing motors – Corrosion resistant fasteners

QTY	MARK	CATALOG NUMBER	FAN INFORMATION			MOTOR INFORMATION					ACCESSORIES			
			CFM	SP	RPM	HP	VOLTS	HZ	PH	TYPE				

LARGEST MOTOR SHIPPED MOUNTED: ODP (OPEN DRIP-PROOF) 5 HP; 2 SP (2 SPEED) 2 HP; X-PRF (EXPLOSION PROOF) 2 HP; TEFC (TOTALLY ENCLOSED FAN COOLED) 2 HP.

LC006R01