



COOK

Filter Box

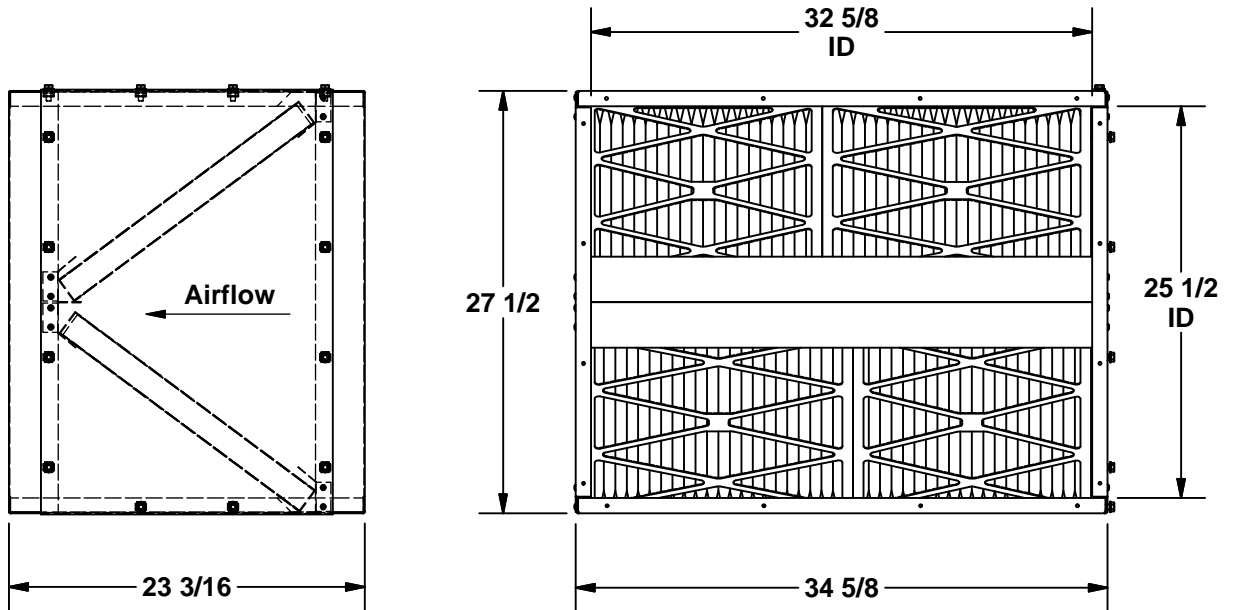
DATE: _____
 PROJECT: _____
 LOCATION: _____

Accessory Data Sheet

Heated Make-Up Air

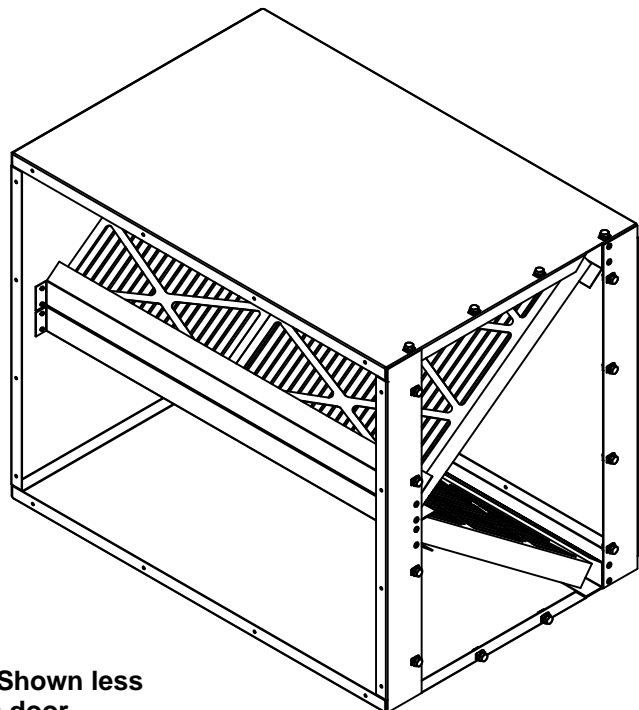
HMD

Weight = 88



STANDARD CONSTRUCTION FEATURES:

Galvanized steel housing - Removable access door - Closed cell neoprene gasketing added where filter contacts housing for a more positive seal and around access door - 30/30 MERV8 filters 18 x 20, 4 required per unit.



Note: Shown less access door.

ALL DIMENSIONS IN INCHES. WEIGHTS IN LBS.

MA100R00