



# COOK

# PP-50

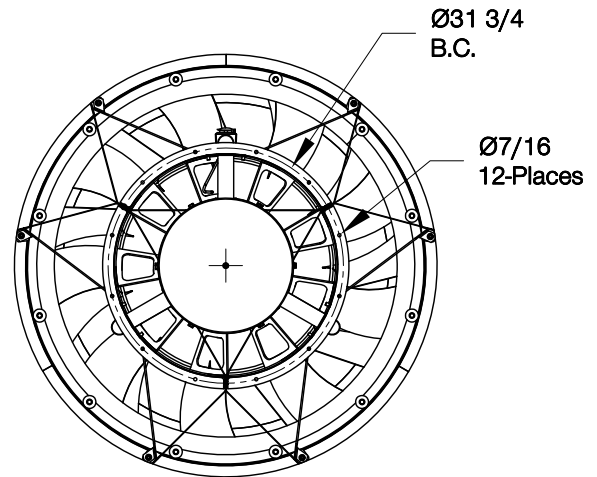
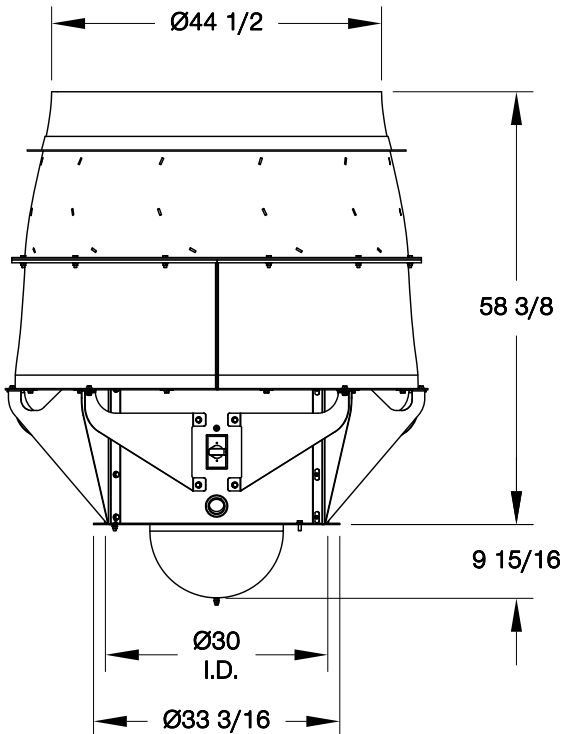
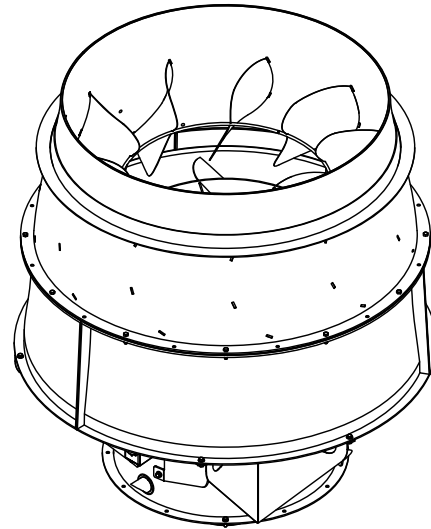
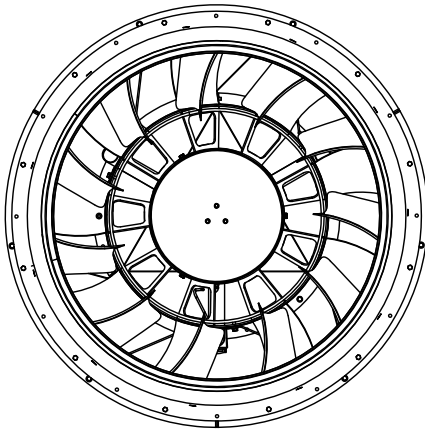
DATE: \_\_\_\_\_

PROJECT: \_\_\_\_\_

LOCATION: \_\_\_\_\_



**Power-Plume®**  
**Size 50**  
**Duct Mounted**  
**Weight 975 Lbs.**



Bottom View

**WARNING: ROTOR IMBALANCE MAY OCCUR UNDER ICING CONDITIONS;  
SEE INSTALLATION, OPERATION AND MAINTENANCE MANUAL FOR DETAILS.**