



# COOK VCRD/VCRD-HP/VCRD-XP VF

DATE: \_\_\_\_\_

PROJECT: \_\_\_\_\_

LOCATION: \_\_\_\_\_



**Upblast Centrifugal  
Exhaust Ventilator  
Roof Mounted/Direct Drive  
Electronically Commutated  
Vari-Flow® Motor**

## DIMENSION DATA

Size	A	B	C			D	G	T Sq.	Unit Wt.	Roof Opening Sq.*
			VCRD	VCRD-HP	VCRD-XP					
101	12-1/2	25-1/4	22-5/16	-	-	16-3/4	2	18	15	13-1/2
120	19-1/16	30-3/16	28-1/4	-	-	20-3/8	2	20	20	15-1/2
135	19-1/16	30-3/16	28-5/8	-	-	20-3/8	2	20	25	15-1/2
150	20-15/16	34-11/16	30-1/4	27-1/2	-	23-13/16	2	24	31	19-1/2
165	20-15/16	34-11/16	30-3/4	27-3/4	26-11/16	23-13/16	2	24	38	19-1/2
180	24-13/16	39-7/16	35-7/8	33-3/8	31-9/16	26-1/8	3	30	47	25-1/2
195	24-13/16	39-7/16	36-3/8	33-1/2	32-1/8	26-1/8	3	30	58	25-1/2
210	25-15/16	45-1/4	38-3/8	35-3/8	32-3/4	29-7/8	3	30	76	25-1/2
225	25-15/16	45-1/4	38-1/8	35-1/2	33-5/16	29-7/8	3	30	82	25-1/2
245	28-1/2	49-1/4	41-1/16	37-5/16	34-1/16	32-7/8	3	30	91	25-1/2
270	28-1/2	49-1/4	41-1/16	37-5/16	35	35-7/8	3	36	115	31-1/2
300	33-7/8	54-1/4	49-15/16	45-15/16	41-7/16	39-3/8	3	36	166	31-1/2

ALL DIMENSIONS IN INCHES. WEIGHTS IN LBS., LESS MOTOR  
\* ROOF OPENING SIZE FOR CURBS SUPPLIED BY COOK ONLY.

LISTED POWER VENTILATOR FOR RESTAURANT  
EXHAUST APPLICATIONS - 327Y.

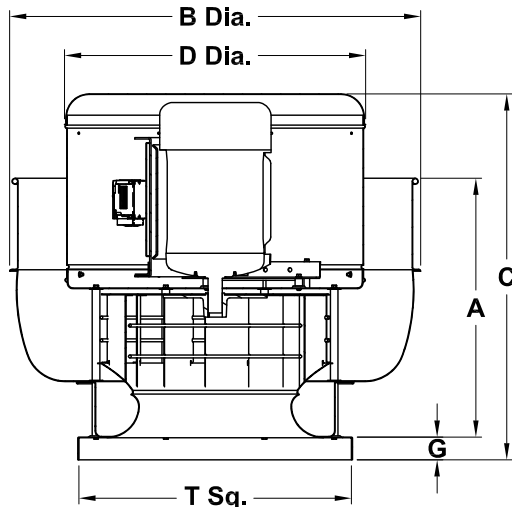
MAXIMUM OPERATING TEMPERATURE  
300°F (UL 762)

## ACCESSORIES

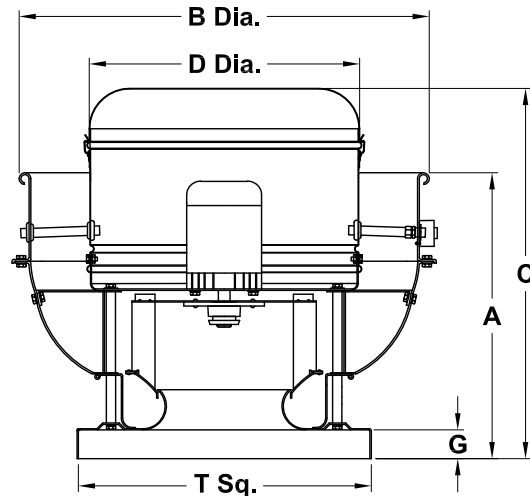
1. DISCONNECT SWITCH
2. RCG GALVANIZED CURB
3. VE VENTED EXTENSION
4. HINGED BASE
5. GREASE TERMINATOR
6. GREASE TROUGH

## STANDARD CONSTRUCTION FEATURES:

All aluminum housing - Backward inclined all aluminum wheel -  
Two piece top cap with stainless steel quick release latches -  
One piece bottom spinning - Welded curb cap corners -  
Preprogrammed electronically commutated Vari-Flow® motor/drive  
package - Corrosion resistant fasteners - Transit tested packaging



SIZES 150-300 BASE MOUNT



SIZES 101-195 C-FACE MOTOR MOUNT

QTY	MARK	CATALOG NUMBER	FAN INFORMATION			MOTOR INFORMATION					ACCESSORIES								
			CFM	SP	RPM	HP	VOLTS	HZ	PH	TYPE									