



# COOK

# MRSF-D

DATE: \_\_\_\_\_

PROJECT: \_\_\_\_\_

LOCATION: \_\_\_\_\_

**Economizer Fan  
Mix, Recirculate, Supply - Filtered  
Direct Drive**

**DIMENSION DATA**

Size	A***	B Sq.	C	D (Height)	E (Width)	H	W Sq.	T Sq.	Material Gauge			Roof Opening Sq.*	RCG Curb Size	Ship Wt.
									Base	Hood	Plenum			
24	60-1/4	31-1/2	18	21-3/4	23-3/4	26	69	37-1/2	14	18	14	32-1/2	35	635
30	65-3/4	37-1/2	18	27-1/4	29-3/4	28	80	43-1/2	14	18	14	38-1/2	41	785
36	71-1/4	43-1/2	18	32-3/4	35-3/4	29	90	49-1/2	14	16	14	44-1/2	47	910
42	78-3/4	49-1/2	20	38-1/4	41-3/4	39	90 x 110	55-1/2	14	16	14	50-1/2	53	1125
48**	84-1/4	55-1/2	20	43-3/4	47-3/4	39	109	61-1/2	14	16	14	56-1/2	59	1480
54**	89-3/4	61-1/2	20	49-1/4	53-3/4	42	119	67-1/2	14	18	14	62-1/2	65	1850

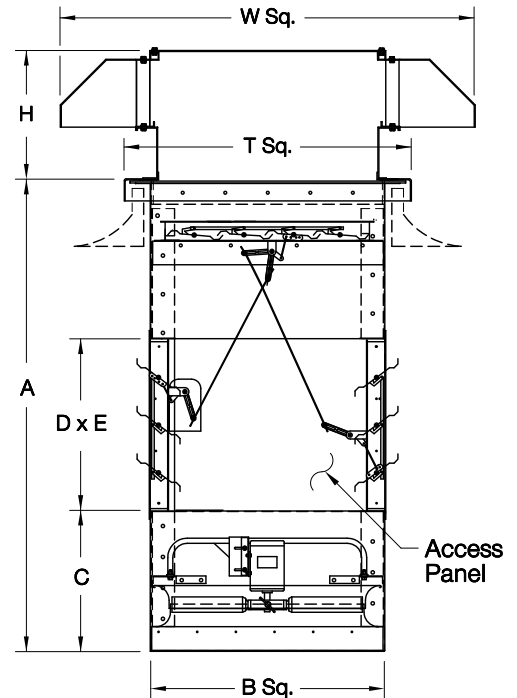
ALL DIMENSIONS IN INCHES. WEIGHTS IN LBS.  
 HOOD AND CABINET SHIPPED SEPARATELY.  
 \* ROOF OPENING SIZE FOR CURBS SUPPLIED BY COOK ONLY.  
 \*\* SIZES 48 AND 54 REQUIRE FIELD ASSEMBLY OF HOOD.  
 \*\*\* IF ORDERING 12" CABINET EXTENSION, ADD 12" TO 'A' DIMENSION.  
 \*\*\* IF ORDERING 24" CABINET EXTENSION, ADD 24" TO 'A' DIMENSION.

**STANDARD CONSTRUCTION FEATURES:**

Extruded aluminum propeller – Galvanized steel hood – Steel curb cap with continuously welded corners and Lorenized fan finish – 2" washable filters – Galvanized steel plenum – Heavy duty steel power assembly – Propellers are statically and dynamically balanced – Corrosion resistant fasteners – Heavy duty galvanized steel control dampers.

**ACCESSORIES**

1. REMOTE MOUNTED CONTROL PANEL
2. MODULATING TEMPERATURE CONTROL
3. DISCONNECT SWITCH
4. RCG GALVANIZED CURB
5. ALUMINUM HOOD
6. INSULATED CURB DAMPER
7. OUTLET DIFFUSER
8. EPOXY COATING
9. 12" CABINET EXTENSION\*\*\*
10. 24" CABINET EXTENSION\*\*\*
11. SPECIAL



QTY	MARK	CATALOG NUMBER	FAN INFORMATION			MOTOR INFORMATION					ACCESSORIES							
			CFM	SP	RPM	HP	VOLTS	HZ	PH	TYPE								

**MOTOR TYPE:** ODP (OPEN DRIP-PROOF); 2 SP (2 SPEED); X-PRF (EXPLOSION PROOF); TEFC (TOTALLY ENCLOSED FAN COOLED).

RP053R05