



LXUMMO

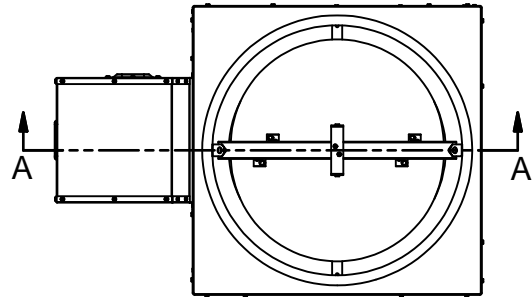
DATE: _____
 PROJECT: _____
 LOCATION: _____



Upblast Exhaust Ventilator
Medium Pressure
X-Stream Propeller
Roof Mounted/Belt Drive
Motor Outside Airstream

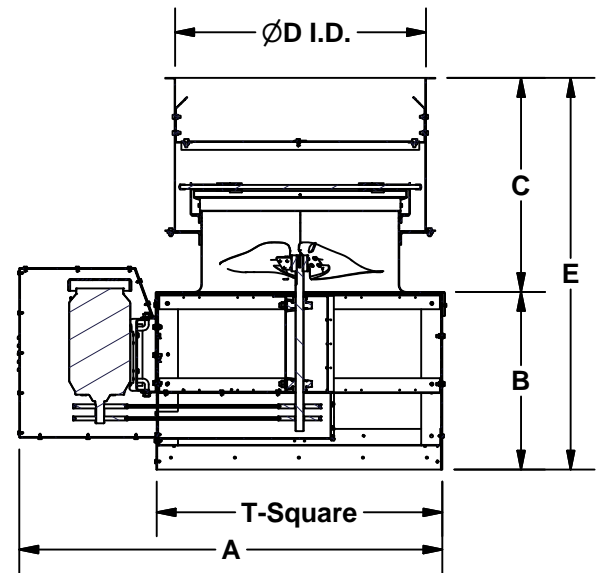
STANDARD CONSTRUCTION FEATURES:

X-Stream steel propeller - All non-galvanized steel components finished with Lorenized baked powder coat - 14 gauge spun steel Venturi/curb cap - 14 gauge lower drum - Minimum 18 gauge steel windband - Welded die formed angle frame steel power assembly - 2 point lifting lugs - Aluminum butterfly damper doors (20-36) - Galvanized steel butterfly dampers (42-60) - Welded curb cap corners - Adjustable pitch drives through 5 hp - Extended lube lines - Regreasable bearings in cast housing, rated at 200K hours average life - Propellers are statically and dynamically balanced - Corrosion resistant fasteners - Static resistant belts - All fans factory adjusted to specified RPM - Motor Cover.



ACCESSORIES

1. DISCONNECT SWITCH
2. ALUMINUM DAMPERS (42-60)
3. DISCHARGE GUARD
4. INLET GUARD
5. MAGNETIC LATCHES
6. RCG GALVANIZED CURB
7. RCA ALUMINUM CURB
8. EPOXY COATING
9. PHENOLIC EPOXY COATING
10. PRIME COATING
11. ANTI-CONDENSATE COATING
12. BELT GUARD
13. BEARING COVER



SECTION A-A

SIZE	A	B	C	D	E	T-SQ	Ship Wt.
20	44 13/16	22	25 1/8	27 1/4	47 1/8	31 5/8	250
24	48 13/16	22	26 3/4	31 1/4	48 3/4	35 5/8	287
30	54 13/16	22	33 3/4	37 1/4	55 3/4	41 5/8	349
36	64 11/16	24	38	43 1/4	62	47 5/8	455
42	70 11/16	24	46 3/8	49 1/4	70 3/8	53 5/8	560
48	76 11/16	24	49 5/8	55 1/4	73 5/8	59 5/8	615
54	83 11/16	28	48	61 1/4	76	65 5/8	804
60	93 11/16	32	50 3/4	67 1/4	82 3/4	71 5/8	1101

ALL DIMENSIONS IN INCHES. WEIGHTS IN LBS., LESS MOTOR.