



COOK

MOTOR COVER

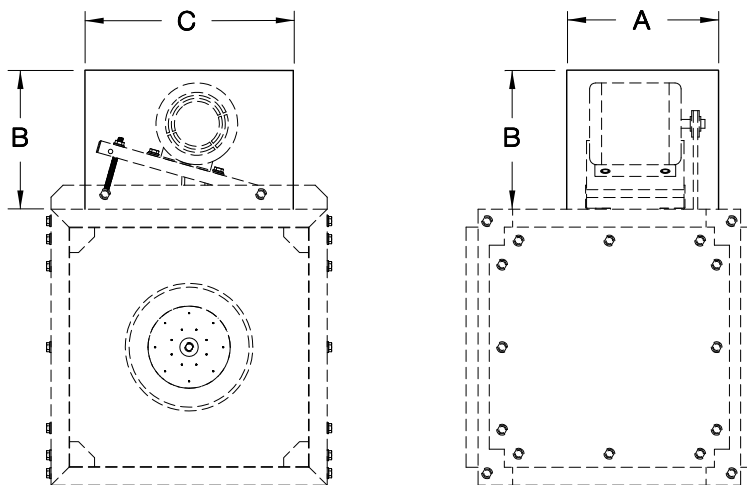
DATE: _____

PROJECT: _____

LOCATION: _____

Accessory Data Sheet

SQN-B, SQN-HP



STANDARD CONSTRUCTION FEATURES:

18 ga. Galvanized steel – Meets OSHA requirements.

OPTIONS

Lorenized coating.

DIMENSION DATA

Size	A	B	C	Ship Wt.
60	16-1/4	14	13-1/2	14
70	16-1/4	14	13-1/2	14
80	16-1/4	14	13-1/2	14
100	16-1/4	14	13-1/2	14
120	20	16	15-1/2	20
135	20	16	15-1/2	20
150	20	16	15-1/2	20
165	25	18	20	29
180	25	18	20	29
195	25	18	20	29
210	25	18	20	29
225	32	24	30	53
245	32	24	30	53
270	32	24	30	53
300	32	24	30	53
330	32	24	30	53
365	32	24	30	53
402	32	24	30	53

ALL DIMENSIONS IN INCHES. WEIGHTS IN LBS.