



# COOK

# WEATHER COVER

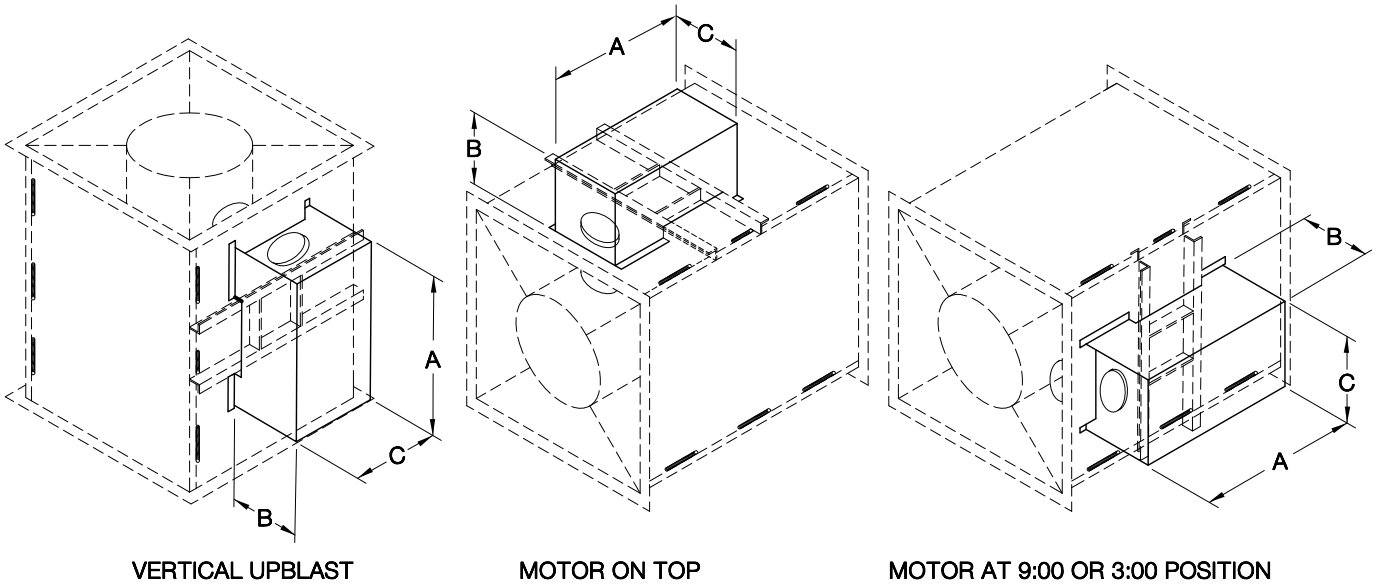
DATE: \_\_\_\_\_

Accessory Data Sheet

PROJECT: \_\_\_\_\_

SQI-B

LOCATION: \_\_\_\_\_



VERTICAL UPBLAST

MOTOR ON TOP

MOTOR AT 9:00 OR 3:00 POSITION

**STANDARD CONSTRUCTION FEATURES:**

20 ga. Lorenized steel or 0.064 aluminum.

**DIMENSION DATA**

Size	Vertical Upblast			Motor on Top			Motor at 9:00 or 3:00 Position		
	A	B	C	A	B	C	A	B	C
90	14-1/8	13	12-5/16	14-1/2	15-1/16	12-11/16	14-5/16	13	12-1/8
120	15-3/8	12	12-3/16	19	15-1/16	12-11/16	15-9/16	12	12-1/8
135	15-3/8	12	12-3/16	19	15-1/16	12-11/16	15-9/16	12	12-1/8
150	18-3/8	12	15-7/16	23	16-1/16	14-11/16	18-9/16	12	15-7/16
165	18-3/8	12	15-7/16	23	16-1/16	14-11/16	18-9/16	12	15-7/16
180	18-3/8	17	17-3/16	23	16-1/16	14-11/16	18-9/16	17	17-1/8
195	18-3/8	17	17-3/16	23	16-1/16	14-11/16	18-9/16	17	17-1/8
210	23-1/8	17	20-3/16	23	16-1/16	14-11/16	23-5/16	17	20-1/8
225	23-1/8	17	20-3/16	23	16-1/16	14-11/16	23-5/16	17	20-1/8
245	23-1/8	17	20-3/16	25	16-1/16	21-11/16	23-5/16	17	20-1/8
270	23-1/8	17	20-3/16	25	16-1/16	21-11/16	26-5/16	17	20-1/8
300	23-1/8	17	20-3/16	25	16-1/16	21-11/16	26-5/16	17	20-1/8
330	23-1/8	21	20-3/16	25	16-1/16	21-11/16	28-5/16	21	22-1/8
365	23-1/8	21	20-3/16	25	16-1/16	21-11/16	28-5/16	21	22-1/8
402	29-1/8	23	24-3/16	29	23-1/16	24-11/16	29-3/16	23	24-1/8

ALL DIMENSIONS IN INCHES. WEIGHTS IN LBS. LESS MOTOR AND DRIVES.