



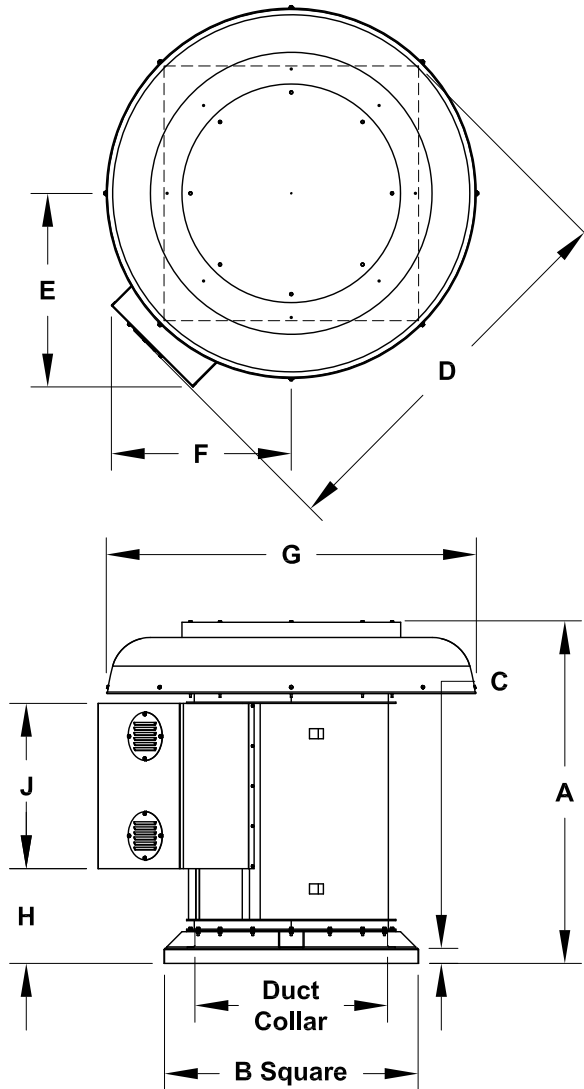
COOK

QMXE/QMXE-HP

DATE: _____
 PROJECT: _____
 LOCATION: _____



Mixed-Flow Exhaust Blower
Low Pressure/High Pressure
Belt Drive
Arrangement 9



DIMENSION DATA

Size	A	B Sq.	C	D	E	F	G	H	J	Duct Collar	Max. Mtr. Frame	QMXE Ship Wt.	QMXE-HP Ship Wt.
90	39-3/16	20	3	37-3/8	22-1/2	21-1/4	28-9/16	5-3/4	19-1/4	12-13/16	184T	230	235
120	39-5/8	24	3	43-5/8	25-3/8	24-3/8	32-13/16	6-11/16	21-7/16	17-1/16	213T	300	303
135	43-15/16	26	3	46-1/2	27-1/4	25-3/8	43-9/16	9-3/8	21-3/4	19-1/4	213T	376	374
150	46-15/16	30	3	51	28	26-1/8	43-9/16	12-3/8	21-3/4	21-3/8	215T	448	459
165	51-1/8	35	3	55	29-13/16	27-1/8	47-5/8	9-7/8	27-1/4	23-1/2	254T	531	556
180	57-3/4	37	3	57-3/4	30-3/4	28-1/8	52-5/8	11-9/16	27-1/4	25-5/8	254T	598	618
202	60-1/2	40	3	61-13/16	32-1/8	29-1/2	62-5/8	14-1/16	27-1/4	28-3/4	256T	721	743
225	64	43	3	68-1/8	35-1/2	33	62-5/8	12-3/16	32-5/8	31-15/16	284T	821	867
245	64-7/16	46	3	71-13/16	36-5/8	34-1/8	73-5/8	16-1/16	32-5/8	34-3/4	286T	994	1035
270	67-3/16	50	3	76-5/16	38	35-9/16	73-5/8	18-16/16	32-5/8	38-5/16	286T	1153	1189
300	74-1/2	54	3	82	40	37-5/8	73-5/8	26-3/16	32-5/8	42-1/2	286T	1349	1389

ALL DIMENSIONS IN INCHES. WEIGHTS IN LBS., LESS MOTOR.