



# COOK

# AFD-C

DATE: \_\_\_\_\_

PROJECT: \_\_\_\_\_

LOCATION: \_\_\_\_\_



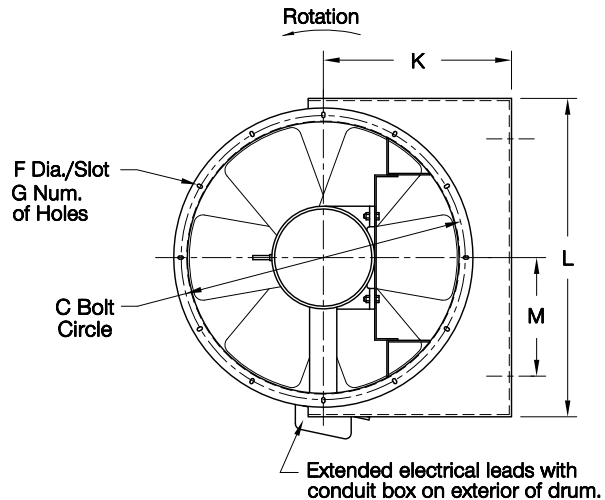
**Tube Axial Fan  
Vertical Wall Mount  
Direct Drive  
Arrangement 4**

**DIMENSION DATA**

Size	A	B	C	D	E	F	G	H	J	K	L	M	N
12	12-7/8	15-5/8	14-5/8	12 Ga.	22	5/16	6	20-1/8	15/16	9-3/4	16	6	5/16
16	16-7/8	19-5/8	18-5/8	12 Ga.	25	5/16 x 5/8	6	23-1/8	15/16	11-3/4	20	8	5/16
18	18-7/8	21-5/8	20-5/8	12 Ga.	25	5/16 x 5/8	6	23-1/8	15/16	12-3/4	22	9	5/16
24	24-7/8	29-1/8	26-7/8	10 Ga.	31	7/16 x 3/4	6	29-1/8	15/16	16	28-1/2	12-1/4	7/16
28	28-7/8	33-1/8	30-7/8	10 Ga.	31	7/16 x 3/4	6	29-1/8	15/16	18	32-1/2	14-1/4	7/16
32	33	37-1/4	35	10 Ga.	34	7/16 x 3/4	6	32-1/8	15/16	20-1/8	36-5/8	16-5/16	7/16
36	37	41-3/8	39	10 Ga.	34	7/16 x 3/4	6	32-1/8	15/16	22-1/8	40-5/8	18-5/16	7/16
44	45	49-3/8	47-1/2	10 Ga.	42	7/16 x 3/4	12	40	1	26-1/8	48-3/4	22-3/8	7/16
48	49-1/8	53-1/2	51-5/8	10 Ga.	42	7/16 x 3/4	12	40	1	28-3/4	53-7/8	24-15/16	7/16
54	55-3/8	60-3/4	57-5/8	7 Ga.	42	7/16 x 3/4	12	39-3/4	1-1/8	31-7/8	60-7/8	28-1/16	7/16
60	61-3/8	66-3/4	63-5/8	7 Ga.	42	7/16 x 3/4	12	39-3/4	1-1/8	34-7/8	66-1/8	31-1/16	7/16

Size	TEFC Max. Mtr. Frame	Ship Wt.
12	56	61
16	182T	88
18	182T	102
24	182T	160
28	184T	206
32	215T	241
36	254T	261
44	256T	403
48	284T	482
54	365T	866
60	405T	969

ALL DIMENSIONS IN INCHES. WEIGHTS IN LBS.

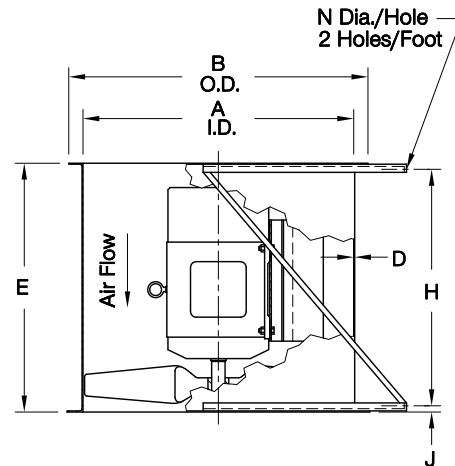


**STANDARD CONSTRUCTION FEATURES:**

All aluminum cast prop - Minimum 12 ga.  
Lorenized steel housing - Extended lube lines.

**ACCESSORIES**

1. INLET/OUTLET GUARD
2. INLET/OUTLET COMPANION FLANGE
3. VIBRATION ISOLATORS
4. INLET BELL
5. INLET/OUTLET CONE
6. ACCESS DOOR
7. SOUND MUFFLER
8. VANE SECTION
9. BOMBAY DOORS



VA076R03