



# COOK

# VAD

DATE: \_\_\_\_\_

PROJECT: \_\_\_\_\_

LOCATION: \_\_\_\_\_



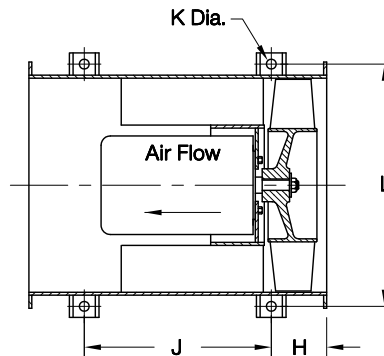
## Fixed Pitch Vane Axial Horizontal Ceiling Mount Direct Drive Arrangement 4

### DIMENSION DATA

Size	A	B	C	D	E	F	G	H	J	K	L
18	18	21-5/16	19-3/4	10 Ga.	19	7/16	12	3-3/4	11-1/2	11/16	25-1/4
21	21	24-5/16	22-3/4	10 Ga.	20	7/16	12	3-3/4	12-1/2	11/16	26-3/16
26	26	30-7/16	28	7 Ga.	22	7/16	12	4-1/4	13-1/2	11/16	29-13/16
29	29	33-7/16	31	7 Ga.	25	7/16	12	4-1/4	16-1/2	11/16	34-5/16
36	36	40-7/16	38	7 Ga.	32	9/16	16	4-5/8	22-3/4	7/8	39-3/4
42	42	46-7/16	44-3/8	7 Ga.	37	9/16	16	4-5/8	27-3/4	7/8	45-3/4
48	48	53-1/2	50-1/2	7 Ga.	42	9/16	16	5-1/8	31-3/4	7/8	51-3/4
54	54	59-5/8	56-1/2	1/4	46	9/16	16	5-5/8	34-3/4	1-1/16	58-3/4
60	60	65-5/8	63-1/4	1/4	46	9/16	16	5-5/8	34-3/4	1-1/16	64-3/4

Size	TEFC Max. Mtr. Frame	Ship Wt.
18	143TC	117
21	145TC	156
26	184TC	233
29	215TC	303
36	254TC	369
42	284TC	588
48	364TC	666
54	405TC	1005
60	445TC	1175

ALL DIMENSIONS IN INCHES. WEIGHTS IN LBS.



### STANDARD CONSTRUCTION FEATURES:

All aluminum cast prop - Minimum 10 ga.  
Lorenized steel housing with integral  
straightening vanes - Extended lube lines -  
C-face motor mount.

### ACCESSORIES

1. INLET/OUTLET GUARD
2. INLET/OUTLET COMPANION FLANGE
3. VIBRATION ISOLATORS
4. INLET BELL
5. INLET/OUTLET CONE
6. INSPECTION DOOR
7. SOUND MUFFLER
8. HUB COVER

