



COOK

AVAD

DATE: _____

PROJECT: _____

LOCATION: _____



Adjustable Pitch Vane Axial Downblast Floor Mount Direct Drive Arrangement 4

DIMENSION DATA

Size	A	B	C	D	E	F	G	H	J	K	TEFC Max Frame Size	Ship Wt.
35	35-1/2	39-7/8	38	3/16	30	9/16	12	43-1/8	9/16	30-1/2	256TC	472
39	39-3/8	43-3/4	41-7/8	1/4	30	9/16	12	47-1/8	9/16	33-5/16	256TC	667
44	44-1/8	49-5/8	47-3/8	1/4	34	9/16	12	53-7/8	11/16	38-1/8	286TC	850
49	49-1/4	54-3/4	52-1/2	1/4	34	9/16	12	59	11/16	41-3/4	286TC	1235
57	57-1/8	62-5/8	60-3/8	1/4	42	9/16	12	66-7/8	11/16	47-1/4	405TC	1625
63	63	68-1/2	66-1/4	1/4	42	11/16	16	72-3/4	11/16	51-7/16	405TC	1865
71	70-7/8	77-5/8	75	1/4	54	11/16	16	82-5/8	11/16	58-7/16	449TC	3180
79	78-3/4	85-1/2	82-7/8	1/4	54	11/16	16	90-1/2	11/16	64	449TC	3530

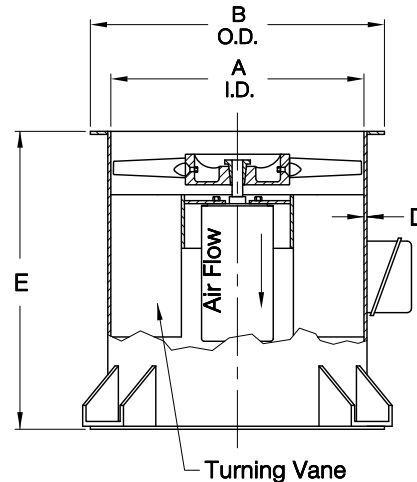
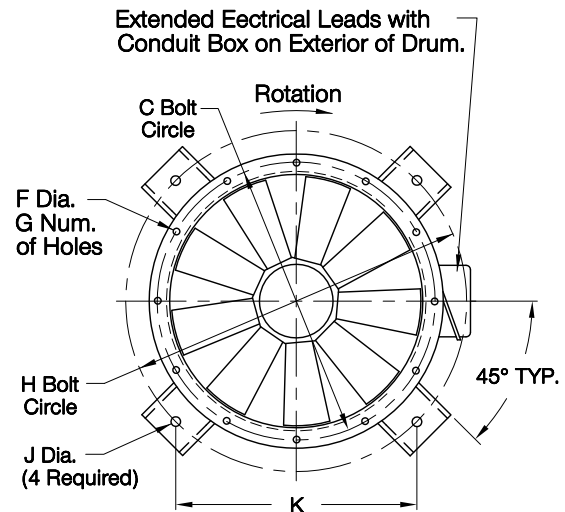
ALL DIMENSIONS IN INCHES. WEIGHTS IN LBS.

STANDARD CONSTRUCTION FEATURES:

All aluminum adjustable pitch prop -
Minimum 7 ga. Lorenized steel housing
with integral straightening vanes -
Extended lube lines - 'C' face motor
mount.

ACCESSORIES

1. INLET/OUTLET GUARD
2. INLET/OUTLET COMPANION FLANGE
3. VIBRATION ISOLATORS
4. INLET BELL
5. INLET/OUTLET CONE
6. ACCESS DOOR
7. SOUND MUFFLER



VA114R02