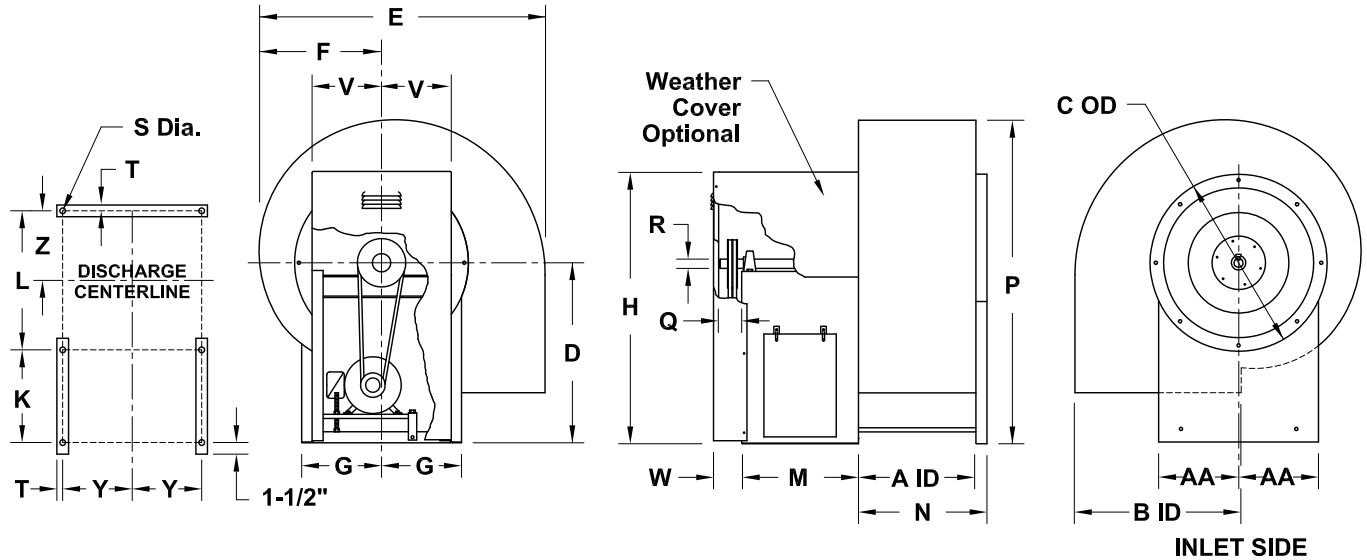


DATE: _____
 PROJECT: _____
 LOCATION: _____



Airfoil Centrifugal Blower
Clockwise Down Blast
Arrangement 10, Class II



DIMENSION DATA

| Size | A | B | C | D | E | F | G | H | K | L | M | N |
|------|----------|----------|----------|--------|----------|----------|----------|--------|--------|----------|---------|----------|
| 120 | 9-3/16 | 13-1/8 | 16-1/8 | 22 | 24-7/16 | 9-13/16 | 10-3/8 | 30-1/4 | 18 | 12-5/16 | 21-1/8 | 11-1/4 |
| 135 | 10-5/16 | 14-3/4 | 17-5/8 | 22 | 27-5/16 | 11-1/16 | 10-3/8 | 31 | 18 | 13-7/16 | 21-1/8 | 12-3/8 |
| 150 | 11-7/16 | 16-7/16 | 19-1/8 | 22 | 30-1/8 | 12-1/4 | 10-7/8 | 32 | 18 | 14-9/16 | 21-1/8 | 13-1/2 |
| 165 | 12-5/8 | 18-1/16 | 21-3/16 | 24 | 32-15/16 | 13-7/16 | 13 | 35 | 22-1/8 | 16-1/8 | 25-1/4 | 15-1/16 |
| 180 | 13-3/4 | 19-11/16 | 22-11/16 | 24 | 35-13/16 | 14-11/16 | 13 | 35-1/2 | 22-1/8 | 17-1/4 | 25-1/4 | 16-3/16 |
| 195 | 14-15/16 | 21-5/16 | 24-3/16 | 24-1/4 | 38-5/8 | 15-7/8 | 13-3/4 | 36-1/4 | 22-1/8 | 18-1/2 | 25-1/4 | 17-3/8 |
| 210 | 16-1/16 | 23 | 25-15/16 | 25-3/8 | 41-5/8 | 17-3/16 | 13-3/4 | 39 | 22-1/8 | 19-5/8 | 25-1/4 | 18-1/2 |
| 225 | 17-3/16 | 24-5/8 | 27-7/16 | 27 | 44-7/16 | 18-3/8 | 13-7/8 | 41 | 22-1/8 | 20-7/8 | 25-1/4 | 19-3/4 |
| 245 | 18-3/4 | 26-13/16 | 29-7/16 | 29-5/8 | 48-5/8 | 19-15/16 | 14-15/16 | 44-5/8 | 24-1/8 | 22-5/16 | 27-5/16 | 21-5/16 |
| 270 | 20-5/8 | 29-9/16 | 31-15/16 | 32-3/8 | 53-7/16 | 22 | 15-7/16 | 48-7/8 | 24-1/8 | 24-11/16 | 27-5/16 | 23-11/16 |
| 300 | 22-15/16 | 32-13/16 | 34-15/16 | 35-5/8 | 59-1/4 | 24-1/2 | 16-1/16 | 53-5/8 | 26 | 27-3/16 | 29-3/16 | 26-3/16 |
| 330 | 25-1/4 | 36-1/8 | 37-15/16 | 38-7/8 | 64-15/16 | 26-15/16 | 17-5/8 | 58-3/8 | 26 | 29-9/16 | 29-3/16 | 28-9/16 |
| 365 | 27-7/8 | 39-15/16 | 41-7/16 | 42-3/4 | 71-3/8 | 29-5/8 | 18-13/16 | 64-1/4 | 26 | 32-9/16 | 29-1/4 | 31-7/16 |

| Size | P | Q | R | S | T | V | W | Y | Z | AA | Max Mtr Frame | Ship Wt. | |
|------|----------|---|---------|-------|-----|----------|---|----------|---------|----------|---------------|----------|-------|
| | | | | | | | | | | | | CPS-A | CPA-A |
| 120 | 33-1/2 | 3 | 1-7/16 | 9/16 | 3/4 | 9 | 4 | 9-5/8 | 5-9/16 | 10-1/2 | 215T | 370 | 312 |
| 135 | 34-7/8 | 3 | 1-7/16 | 9/16 | 3/4 | 9 | 4 | 9-5/8 | 6-1/8 | 10-7/16 | 215T | 386 | 321 |
| 150 | 36-5/16 | 3 | 1-7/16 | 9/16 | 3/4 | 9-1/2 | 4 | 10-1/8 | 6-11/16 | 10-15/16 | 256T | 429 | 356 |
| 165 | 39-3/4 | 3 | 1-7/16 | 9/16 | 3/4 | 11-1/4 | 4 | 12-1/4 | 7-5/8 | 13-1/16 | 256T | 531 | 448 |
| 180 | 41-3/16 | 3 | 1-11/16 | 9/16 | 3/4 | 11-1/4 | 4 | 12-1/4 | 8-3/16 | 13-1/16 | 256T | 595 | 382 |
| 195 | 42-13/16 | 3 | 1-11/16 | 9/16 | 3/4 | 12 | 4 | 13 | 8-13/16 | 13-7/8 | 256T | 644 | 411 |
| 210 | 45-3/8 | 4 | 1-11/16 | 9/16 | 3/4 | 12 | 5 | 13 | 9-3/8 | 13-7/8 | 256T | 683 | 544 |
| 225 | 48-7/16 | 4 | 1-11/16 | 9/16 | 3/4 | 12-1/16 | 5 | 13-1/8 | 10-1/16 | 14-1/8 | 256T | 768 | 618 |
| 245 | 53 | 4 | 1-15/16 | 11/16 | 1 | 13-1/8 | 5 | 13-15/16 | 10-5/8 | 14-15/16 | 256T | 938 | 761 |
| 270 | 58-1/8 | 4 | 1-15/16 | 11/16 | 1 | 13-1/8 | 5 | 14-7/16 | 12-1/16 | 15-11/16 | 286T | 1049 | 828 |
| 300 | 64-1/4 | 4 | 2-3/16 | 11/16 | 1 | 13-11/16 | 5 | 15-1/16 | 13-5/16 | 16-5/16 | 286T | 1274 | 976 |
| 330 | 70-3/8 | 4 | 2-3/16 | 13/16 | 1 | 15-1/4 | 5 | 16-5/8 | 14-9/16 | 18 | 326T | 1548 | 1178 |
| 365 | 77-1/2 | 5 | 2-7/16 | 13/16 | 1 | 16-3/16 | 6 | 17-13/16 | 16-1/8 | 19-3/8 | 326T | 1922 | 1428 |

ALL DIMENSIONS IN INCHES. WEIGHTS IN LBS., LESS MOTOR.