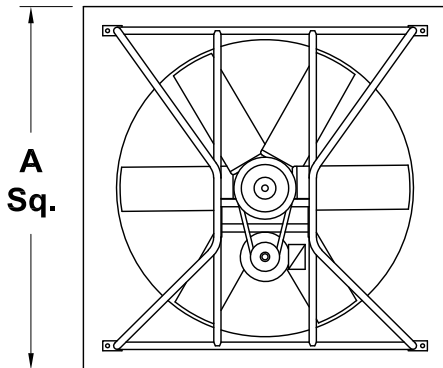


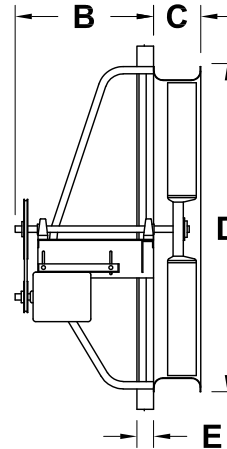
DATE: _____
 PROJECT: _____
 LOCATION: _____



**Wall Exhaust Fan
 Extruded Aluminum Propeller
 Belt Drive**



****Rotation
 Sizes 24-60,
 Size 72 opposite**



Air Flow →

**** Correct propeller
 rotation is CCW (size
 72 is CW) when viewing
 from inlet side.**

DIMENSION DATA

Size	A Sq.	B	C	D Dia.	E	Wall Opening*	Approx. Unit Wt.
24	36-3/16	20	6-5/8	27-3/8	3	36-7/16	52
30	42-3/16	21	6-3/4	33-3/8	3	42-7/16	76
36	48-3/16	21	7-1/4	39-3/8	3	48-7/16	93
42	54-3/16	21	8-1/16	46-3/8	3	54-7/16	127
48	60-3/16	24	8-1/16	52-3/8	3	60-7/16	167
54	66-3/16	27	9	58-3/8	3	66-7/16	215
60	72-3/16	27	9	64-3/8	3	72-7/16	289
72	84-3/16	27	10-3/8	76-3/8	3	84-7/16	344

ALL DIMENSIONS IN INCHES. WEIGHTS IN LBS., LESS MOTOR.

* See wire guard or wall collar submittal for accessory wall opening.

STANDARD CONSTRUCTION FEATURES:

Extruded aluminum propeller - Propeller hub keyed to shaft - Propellers are statically and dynamically balanced - 14 gauge steel venturi - Welded wall base corners - Aluminum supply inlet - Heavy duty steel power assembly - Lorenized powder paint finish - Regreasable bearings in a cast housing rated at 200,000 hours average life - Adjustable pitch drives through 5 hp - Corrosion resistant fasteners - Static resistant belts - All fans factory adjusted to specified fan RPM.

ACCESSORIES

1. GALVANIZED SHUTTER - GRAVITY OR MOTORIZED
2. ALUMINUM SHUTTER - GRAVITY OR MOTORIZED
2. ALUMINUM HD SHUTTER - GRAVITY OR MOTORIZED
3. EPOXY POWDER
4. PHENOLIC EPOXY POWDER
5. PROP SIDE WIRE GUARD
6. MOTOR SIDE WIRE GUARD
7. WALL COLLAR
8. WEATHER HOOD
9. SHUTTER GUARD
10. DISCONNECT SWITCH
11. PRE-WIRED DISCONNECT SWITCH
12. PRE-WIRED DISCONNECT SWITCH WITH FLEXIBLE CONDUIT
13. KNOCKDOWN WEATHERHOOD
14. HORIZ. MOUNT DOWNBLAST MOTOR ABOVE
15. HORIZ. MOUNT UPBLAST MOTOR BELOW
16. PHENOLIC EPOXY WITH UV

QTY	MARK	CATALOG NUMBER	FAN INFORMATION			MOTOR INFORMATION					ACCESSORIES	
			CFM	SP	RPM	HP	VOLTS	HZ	PH	TYPE		

**LARGEST MOTOR SHIPPED MOUNTED: ODP (OPEN DRIP-PROOF) 5 HP; 2 SP (2 SPEED) 2 HP;
 X-PRF (EXPLOSION PROOF) 2 HP; TEFC (TOTALLY ENCLOSED FAN COOLED) 3 HP.**