



# COOK

# SWD-SUPPLY

DATE: \_\_\_\_\_

PROJECT: \_\_\_\_\_

LOCATION: \_\_\_\_\_



**Propeller Wall Supply Fan  
Direct Drive**

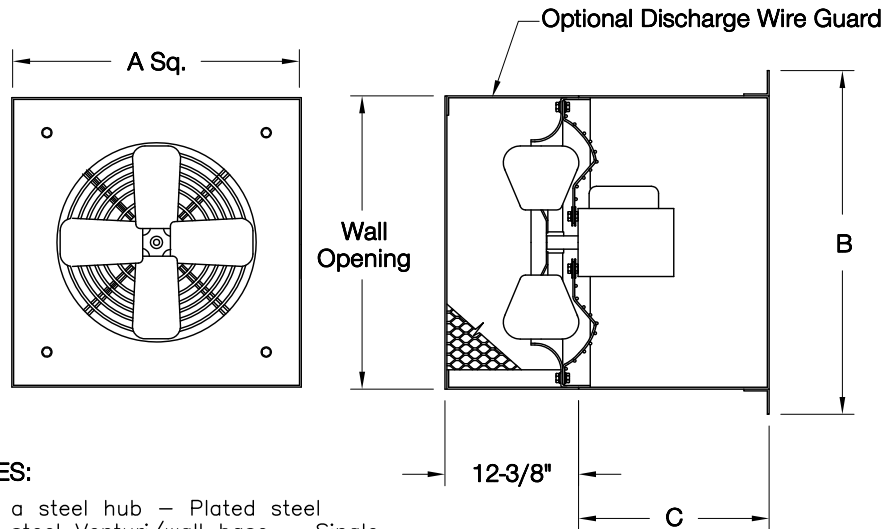
**DIMENSION DATA**

Size	A Sq.	B	C	Wall Opening	Ship Wt.
8	12-1/8	15-3/16	12	12-7/8	28
10	16-3/16	19-1/4	14-3/8	17	42
12	16-3/16	19-1/4	14-3/8	17	44
14	20-3/16	23-1/4	15-3/8	21	54
16	20-3/16	23-1/4	15-3/8	21	58
18	24-3/16	27-1/4	17-5/8	25	67
20	24-3/16	27-1/4	17-5/8	25	73
24	30-3/16	33-1/4	18-3/4	31	95

ALL DIMENSIONS IN INCHES. WEIGHTS IN LBS.

**ACCESSORIES**

1. DISCONNECT SWITCH
2. FAN SPEED CONTROL
3. WEATHER HOOD
4. DISCHARGE WIRE GUARD
5. MOTORIZED SUPPLY SHUTTER
6. EPOXY COATING
7. SPECIAL



**STANDARD CONSTRUCTION FEATURES:**

Aluminum propeller blades attached to a steel hub – Plated steel motor mount/inlet wire guard – Spun steel Venturi/wall base – Single phase open drip-proof motor – Corrosion resistant fasteners – Welded wall base corners – Wall collar.

QTY	MARK	CATALOG NUMBER	FAN INFORMATION			MOTOR INFORMATION					ACCESSORIES							
			CFM	SP	RPM	HP	VOLTS	HZ	PH	TYPE								

MOTOR TYPE: ODP (OPEN DRIP-PROOF).

WP076R02