

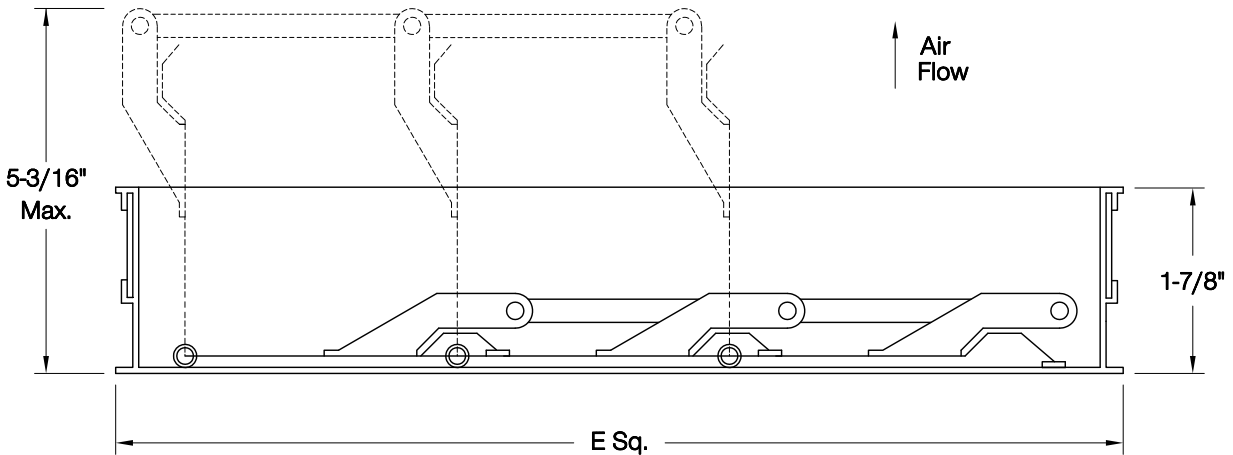


DATE: _____

Gravity Backdraft Damper

PROJECT: _____

LOCATION: _____



STANDARD CONSTRUCTION FEATURES:

.020 aluminum blades – .060 aluminum frame –
Aluminum hinge pins – Nylon bushings.

DIMENSION DATA

Qty	Mark	Centrifugal Units	ACW Units	Lo-Pro Units	Propeller Units	PR/TR Units	Cat. No.	E Sq.	Unit Wt.
		–	70	–	–	–	BD-8	7-3/4	1
		–	90,100	–	–	–	BD-10	9-3/4	1
		60,70,80,90,100	120,135	–	–	8	BD-12	11-3/4	2
		120,135	–	100	12	12	BD-14	13-3/4	2
		–	150,165	–	–	–	BD-16	15-3/4	3
		150,165	–	120,135,150,165	–	–	BD-18	17-3/4	3
		–	180,195	–	–	–	BD-20	19-3/4	4
		–	–	–	16	16	BD-22	21-3/4	4
		180,195,210,225,245	210,225,245	180,195,210,225	–	–	BD-24	23-3/4	5
		–	–	–	20	20	BD-26	25-3/4	5
		270,300	–	245,270	24	24	BD-30	29-3/4	6
		330,365	–	300,330	30	30	BD-36	35-3/4	9
		402	–	365,402	36	36	BD-42	41-3/4	12
		445,490	–	–	42	42	BD-48	47-3/4	15
		–	–	445,490	48	48	BD-54	53-3/4	19
		540	–	540	54	–	BD-60	59-3/4	23
		–	–	–	60	–	BD-66	65-3/4	32
		–	–	–	72	–	BD-78	77-3/4	44

ALL DIMENSIONS IN INCHES. WEIGHTS IN LBS.

NOTES:

Max operating temperature 200°F (95°C).
BD-36 to BD-60 are shipped as 2 panels.
BD-66 and BD-78 shipped as 6 panels.