



# COOK

# Isolation Damper

DATE: \_\_\_\_\_

PROJECT: \_\_\_\_\_

LOCATION: \_\_\_\_\_

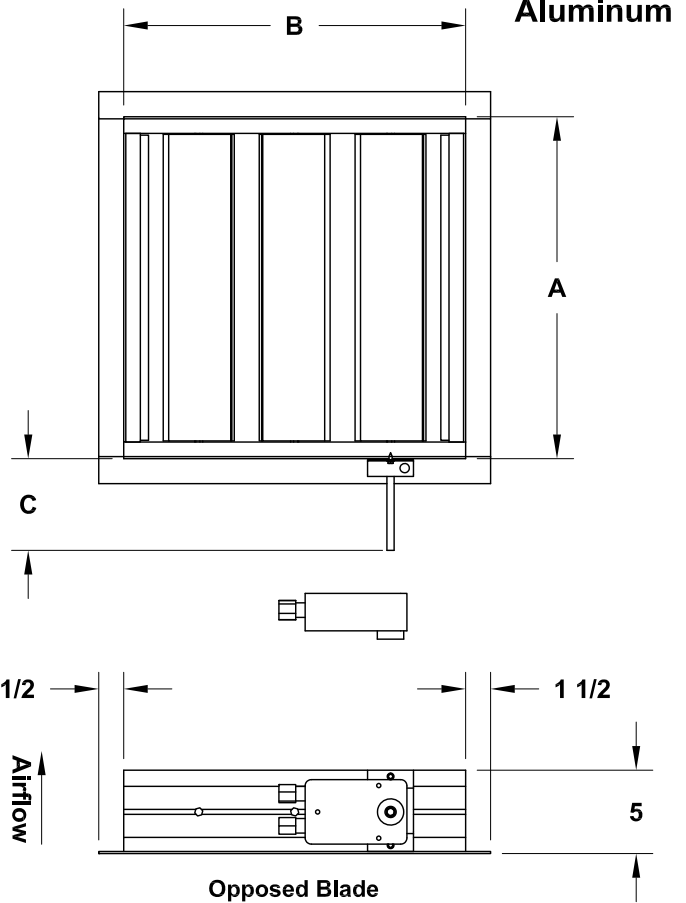
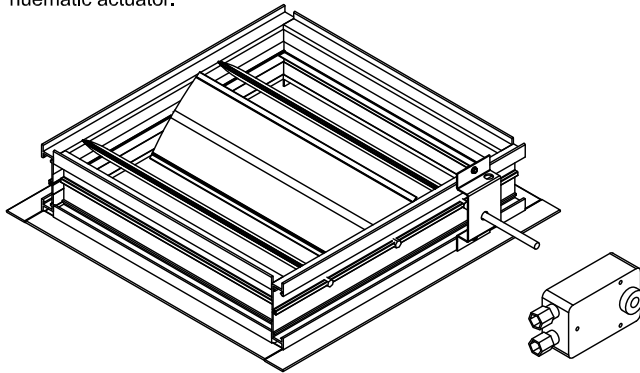
Accessory Data Sheet  
Isolation Damper  
Low Leakage Class 1A Rated  
for TCNHBLE Mixing Box  
Aluminum

### STANDARD CONSTRUCTION FEATURES:

- Frame: 5" x 1" x 6063T5 extruded hat channel with .125" minimum wall thickness
- Blades: 6" wide, 6063T5 heavy gauge extruded aluminum, airfoil shape. Opposed blade standard.
- Seals: Synthetic polymer blade edge seals and flexible SS compressible jamb seals.
- Bearings: Molded synthetic.
- Linkage: Concealed in frame.
- Axles: 1/2" plated steel hex.
- Temperature Limits: -72°F and +275°F.
- Actuator out of Airstream, 1 Actuator per panel, protected from weather.
- Sizes 100-180 available in 115v (230, 460, and 575vac with transformer)
- Sizes 195-490 available in 24-124vdc or 24-230vac (460 and 575vac with transformer)
- Power Open/Spring Close (Reversible)
- Finish: Air-dry enamel coating to match fan color.
- One panel per damper selection.

### OPTIONAL CONSTRUCTION FEATURES:

- Air-dry epoxy finish.
- Actuator by others, damper provided with manual hand quadrant.
- Pneumatic actuator.



### DIMENSION DATA

Qty	Mark	Size	A	B	C	Actuator Model	Unit Wt.
		100	19	13-1/2	7	LF120-S	13
		120	23	17-1/2	7	LF120-S	18
		135	25	19-1/2	7	LF120-S	21
		150	27	21-1/2	7	LF120-S	24
		165	29	23-1/2	7	LF120-S	28
		180	33	26-1/2	7	LF120-S	35
		195	37	29-1/2	7	NFBUP-S	43
		210	39	31-1/2	7	NFBUP-S	48
		225	43	35-1/2	7	NFBUP-S	59
		245	45	37-1/2	7	NFBUP-S	64
		270	49	41-1/2	7	AFBUP-S	79
		300	55	47-1/2	7	AFBUP-S	99
		330	57	49-1/2	7	AFBUP-S	107
		365	60	52-1/2	7	AFBUP-S	118
		402	60	56-1/2	10	AFBUP-S	126
		445	60	61-1/2	13	AFBUP-S	137
		490	60	68-1/2	17	AFBUP-S	152

ALL DIMENSIONS IN INCHES. WEIGHTS IN LBS. WEIGHT INCLUDES ACTUATOR.

X0226R00