



COOK

Motorized Damper

DATE: _____

PROJECT: _____

LOCATION: _____

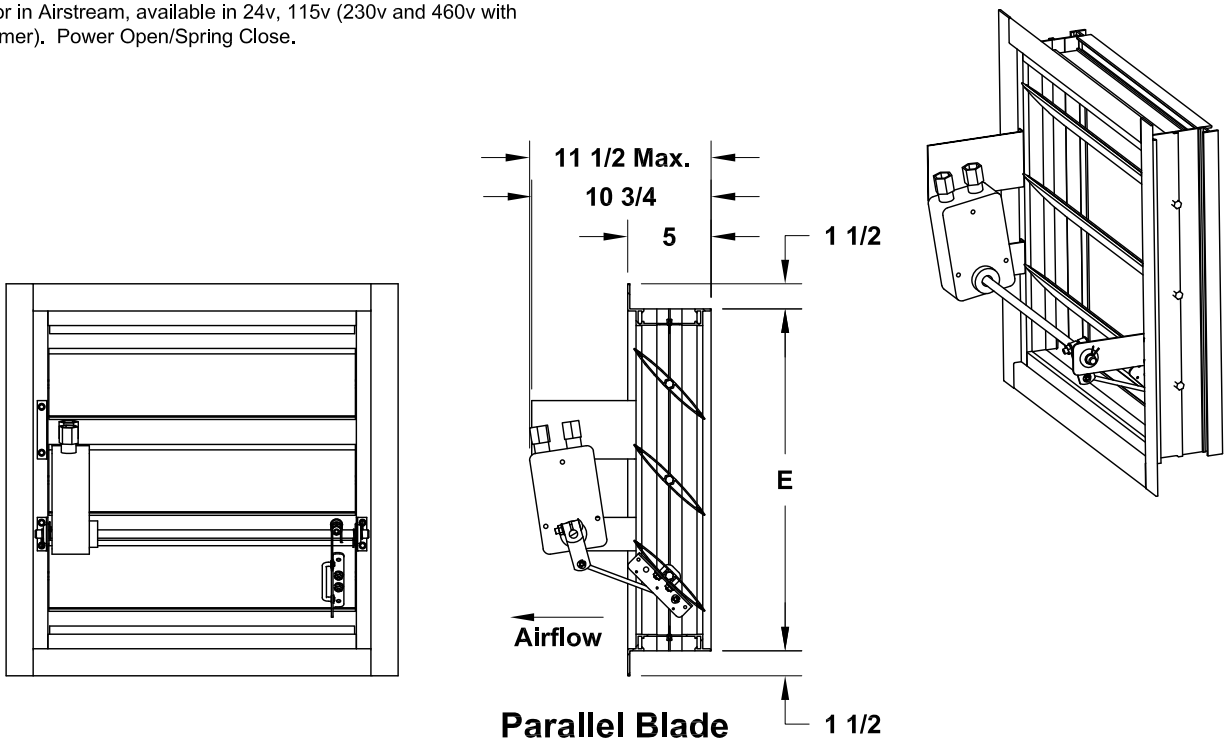
Accessory Data Sheet
Motorized Backdraft Damper
Low Leakage Class 1A Rated
Galvanized Steel

STANDARD CONSTRUCTION FEATURES:

- Frame: 5" x 1" x 16 gauge hot dipped galvanized steel hat channel reinforced with corner braces.
- Blades: 6" wide, galvanized steel one piece airfoil shape, construction of 14 gauge equivalent thickness. Opposed blade standard.
- Seals: Neoprene blade edge seals mechanically fastened to blades.
- Bearings: Oil impregnated self lubricating, stainless steel sleeve.
- Linkage: Concealed outside airstream.
- Axles: 1/2" plated steel hex.
- Temperature Limits: -72°F and +275°F.
- Actuator in Airstream, available in 24v, 115v (230v and 460v with transformer). Power Open/Spring Close.

OPTIONAL CONSTRUCTION FEATURES:

- Enamel and epoxy finishes.
- End Switch Package to remotely indicate damper blade position.
- Face and bypass configurations.



DIMENSION DATA

Qty	Mark	Wall Propeller, SWD, XWD, AWB, AWD, XLW, XMW	EWB EWD	Cat. No.	E Sq.	Unit Wt.
		8	-	MICL-10	9-3/4	11
		10-12	-	MICL-14	13-3/4	17
		14-16	-	MICL-18	17-3/4	24
		18-20	-	MICL-22	21-3/4	32
		24	-	MICL-27	26-3/4	46
		30	24	MICL-33	32-3/4	65
		36	30	MICL-39	38-3/4	88
		42	36	MICL-45	44-3/4	114
		48	42	MICL-51	50-3/4	144
		54	48	MICL-57	56-3/4	177
		60	54	MICL-63	62-3/4	214
		-	60	MICL-69	68-3/4	254
		-	72	MICL-81	80-3/4	345

ALL DIMENSIONS IN INCHES. WEIGHTS IN LBS.

X0258R00