



COOK

Companion Flange

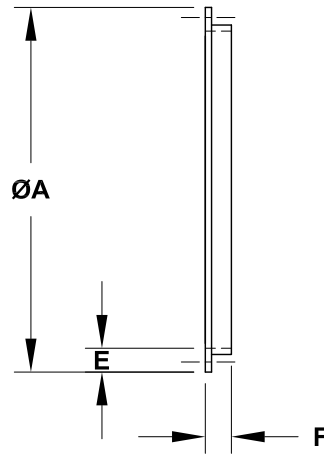
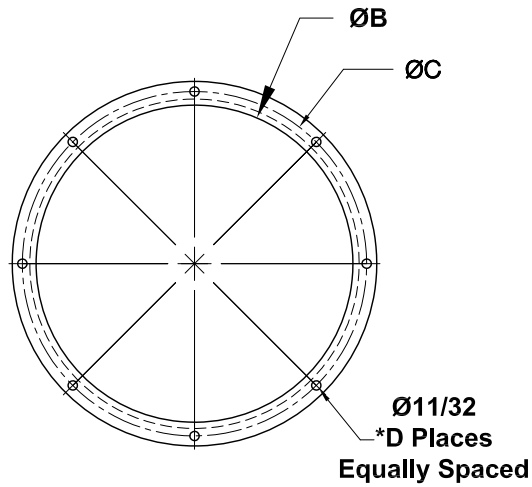
DATE: _____

Accessory Data Sheet

PROJECT: _____

CV

LOCATION: _____



DIMENSION DATA

Size	A	B	C	D	E	F
8	10-11/16	8-3/16	9-5/8	8	1-1/4	1-1/2
10	12-11/16	10-3/16	11-5/8	8	1-1/4	1-1/2
12	14-11/16	12-3/16	13-5/8	8	1-1/4	1-1/4
14	16-11/16	14-3/16	15-3/4	8	1-1/4	1-1/4
16	18-11/16	16-3/16	17-3/4	8	1-1/4	1-1/2
18	20-11/16	18-3/16	19-3/4	8	1-1/4	1-1/2
20	22-11/16	20-3/16	21-3/4	8	1-1/4	1-1/2
24	27-3/16	24-3/16	26	8	1-1/2	2-1/8
28	31-3/16	28-3/16	30	12	1-1/2	2-5/8
32	35-3/16	32-3/16	34	12	1-1/2	2-7/8
36	39-3/16	36-3/16	38	12	1-1/2	2-3/4

ALL DIMENSIONS IN INCHES.

X0504R03