



COOK

Inlet Companion Flange

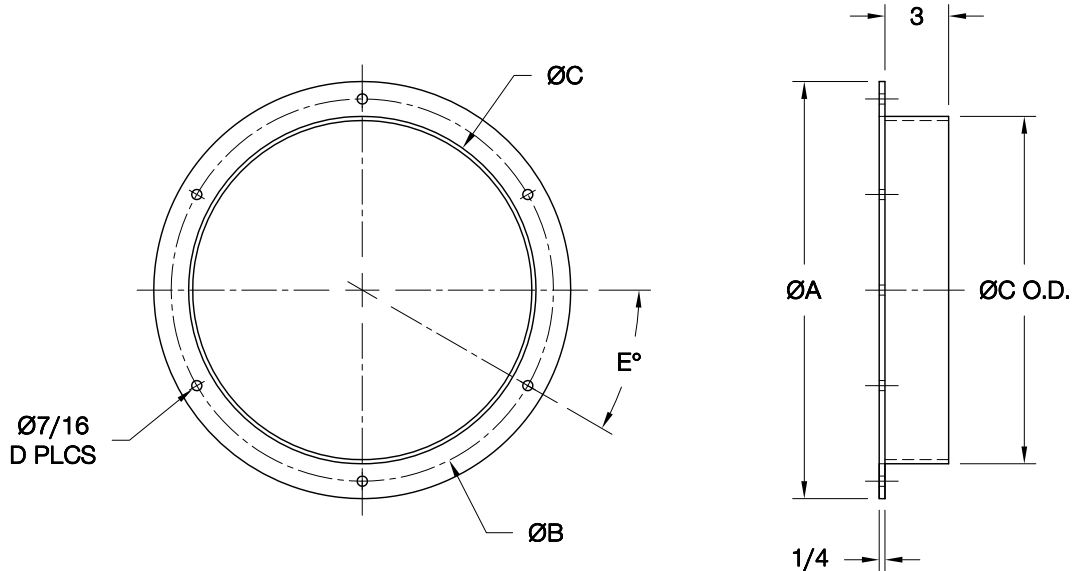
DATE: _____

Accessory Data Sheet

PROJECT: _____

IMH

LOCATION: _____



DIMENSION DATA

| Size | A | B | C | D | E |
|------|----|----|----|----|----|
| 70 | 9 | 8 | 7 | 4 | 90 |
| 90 | 11 | 10 | 9 | 4 | 90 |
| 110 | 13 | 12 | 11 | 4 | 90 |
| 130 | 15 | 14 | 13 | 6 | 60 |
| 150 | 17 | 16 | 15 | 6 | 60 |
| 170 | 19 | 18 | 17 | 6 | 60 |
| 190 | 21 | 20 | 19 | 8 | 45 |
| 210 | 23 | 22 | 21 | 8 | 45 |
| 230 | 25 | 24 | 23 | 8 | 45 |
| 260 | 28 | 27 | 26 | 12 | 30 |
| 290 | 31 | 30 | 29 | 12 | 30 |

ALL DIMENSIONS IN INCHES. WEIGHTS IN LBS.