



COOK

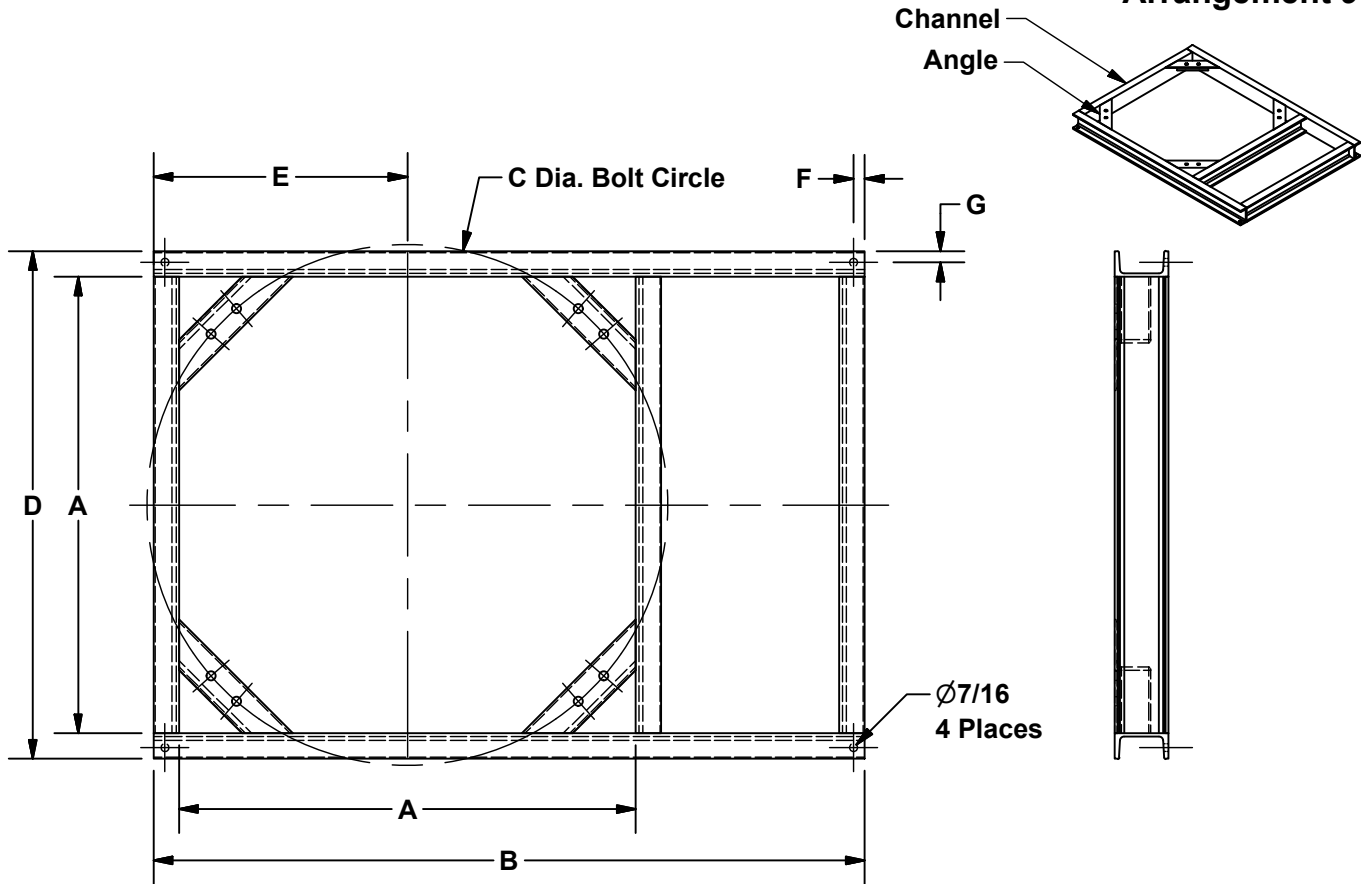
Mounting Base

DATE: _____

PROJECT: _____

LOCATION: _____

Accessory Data Sheet
TMX Mounting Base
Vertical Mount
Arrangement 9



DIMENSION DATA

Unit	A	B	C	D	E	F	G	Channel	Accessory Weight
90	16 7/8	30 1/16	20 1/4	19 11/16	9 7/8	5/8	5/8	C3 X 4.1	40
120	21 1/16	35 1/4	24 5/8	23 7/8	11 15/16	5/8	5/8	C3 X 4.1	49
135	23 1/4	37 5/16	26 13/16	26 1/16	13 1/16	5/8	5/8	C3 X 4.1	53
150	25 3/8	39 1/2	28 15/16	28 3/16	14 1/8	5/8	5/8	C3 X 4.1	57
165	27 1/2	41 5/8	31 5/16	30 5/16	15 3/16	5/8	5/8	C3 X 4.1	65
180	29 5/8	45 13/16	33 7/16	32 7/16	16 1/4	5/8	5/8	C3 X 4.1	70
202	32 3/4	48 7/8	36 9/16	35 9/16	17 13/16	5/8	5/8	C3 X 4.1	77
225	35 15/16	52 1/16	40	38 3/4	19 3/8	5/8	5/8	C3 X 4.1	83
245	39 3/4	57 3/8	44 13/16	42 9/16	21 5/16	5/8	5/8	C3 X 4.1	90
270	43 3/8	60 15/16	48 3/8	46 3/16	23 1/8	5/8	5/8	C3 X 4.1	98
300	47 1/2	65 1/16	52 9/16	50 5/16	25 3/16	5/8	5/8	C3 X 4.1	107
330	51 3/4	69 3/4	56 13/16	54 15/16	27 1/2	5/8	5/8	C4 X 5.4	149

ALL DIMENSIONS IN INCHES. WEIGHTS IN LBS.

X0580R00