



COOK

Flexible Duct Connector

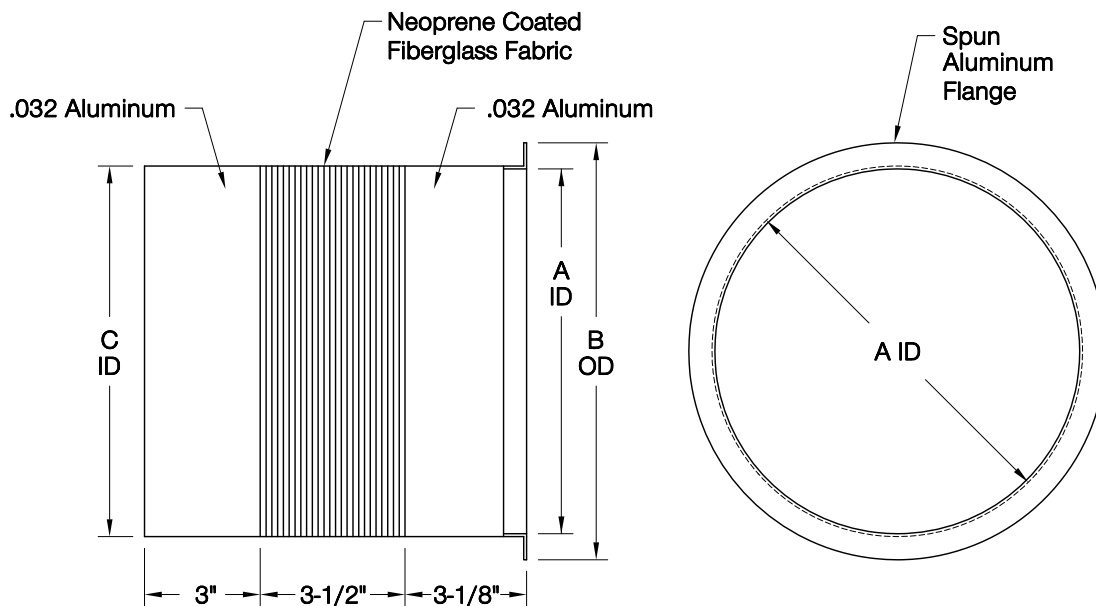
DATE: _____

Accessory Data Sheet

PROJECT: _____

CV, TCN

LOCATION: _____



CV DIMENSION DATA

Size	A	B	C
8	8-3/16	10-11/16	8-1/2
10	10-3/16	12-11/16	10-1/2
12	12-3/16	14-11/16	12-1/2
14	14-3/16	16-11/16	14-1/2
16	16-3/16	18-11/16	16-1/2
18	18-3/16	20-11/16	18-1/2
20	20-3/16	22-11/16	20-1/2
24	24-3/16	27-3/16	24-1/2
28	28-3/16	31-3/16	28-1/2
32	32-3/16	35-3/16	32-1/2
36	36-3/16	39-3/16	36-1/2

ALL DIMENSIONS IN INCHES.

TCN DIMENSION DATA

Size	A	B	C
60	16	19	16-1/4
70	16	19	16-1/4
80	16	19	16-1/4
100	16	19	16-1/4
120	18	21	18-1/4
135	21	24	21-1/4
150	24	27	24-1/4
165	26	29	26-1/4
180	28	31	28-1/4
195	31	34	31-1/4
210	34	37	34-1/4
225	36	39	36-1/4
245	40	43	40-1/4
270	44	47	44-1/4
300	48	51	48-1/4
330	52	55	52-1/4
365	54	57	54-1/4
402	60	63	60-1/4
445	66	69	66-1/4
490	73	76	73-1/4

ALL DIMENSIONS IN INCHES.