



COOK

Stack Extension

DATE: _____

PROJECT: _____

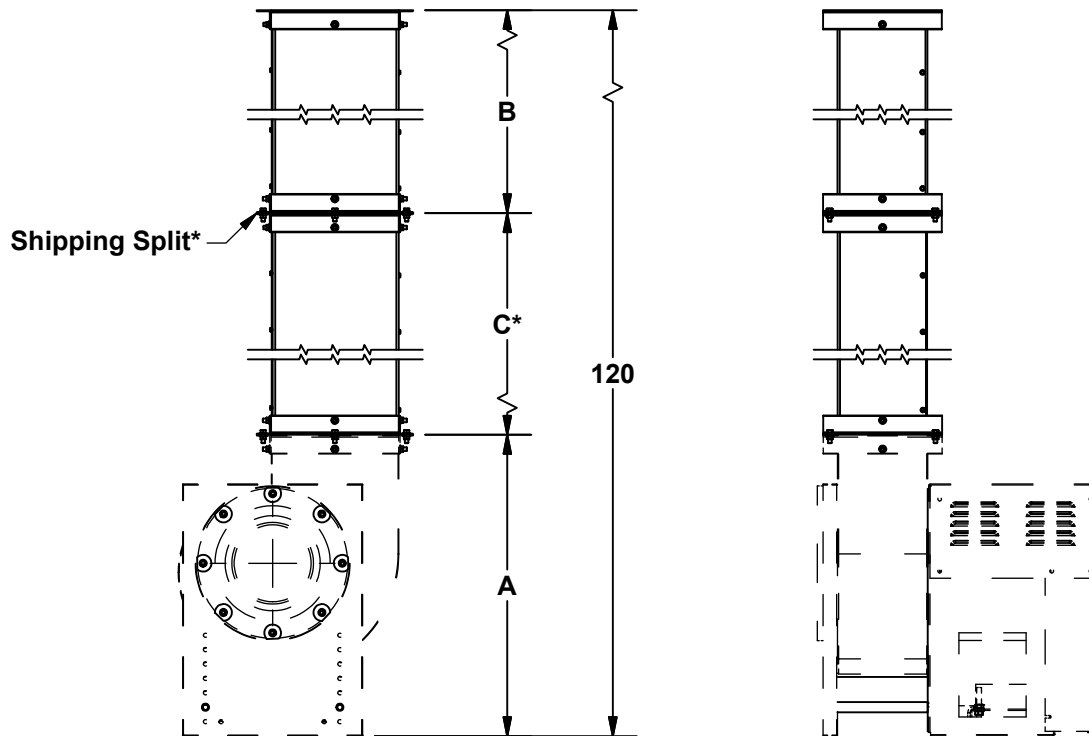
LOCATION: _____

Accessory Data Sheet

CPS, CPS-A, CPV

Class 1

Sizes 60 thru 365



DIMENSION DATA

Size	A	B	C	Stack Wt.
60-100	30 3/4	44 5/8	44 5/8	39
120	31 3/8	44 5/16	44 5/16	56
135	31 7/8	44 1/16	44 1/16	61
150	34 3/8	42 13/16	42 13/16	67
165	36 13/16	41 5/8	41 5/8	72
180	39 11/16	40 1/8	40 1/8	76
195	41 1/2	39 1/4	39 1/4	82
210	45 3/8	37 5/16	37 5/16	91
225	47 5/8	36 3/16	36 3/16	90
245	51 3/8	34 5/16	34 5/16	102
270	55 3/4	32 1/8	32 1/8	109
300	61 1/2	58 1/2	-	101
330	67 5/16	52 11/16	-	103
365	74 3/16	45 13/16	-	104

Standard Construction Features:

Corrosion resistant aluminum construction - Designed to withstand 125 mph wind**

*One piece stack for sizes 300 thru 365. Stack weight includes hardware and all necessary components.

**Wind Rating Dependant on Adequate Mounting Structure. Refer to I.O.M Manual.

ALL DIMENSIONS IN INCHES. WEIGHTS IN LBS.

X0709R00