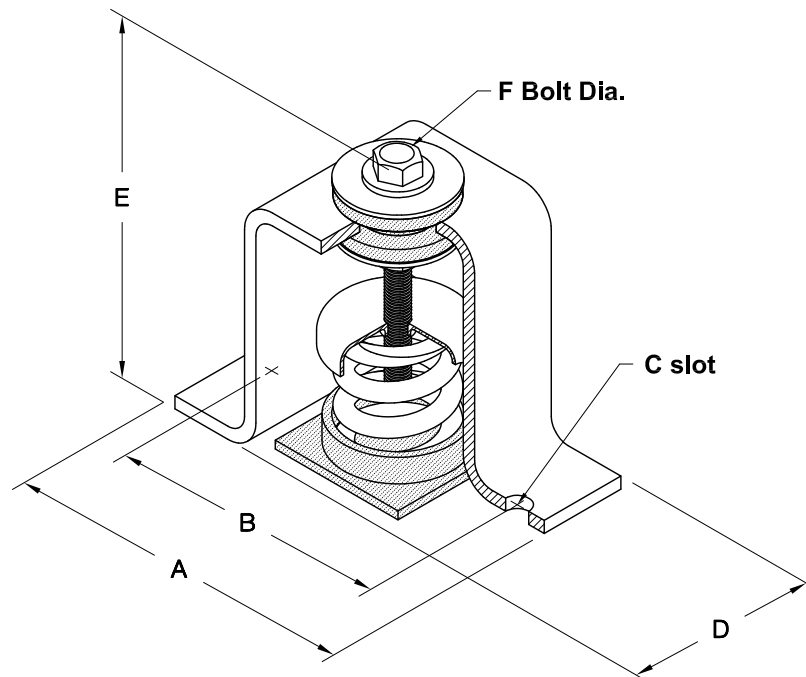


DATE: _____
 PROJECT: _____
 LOCATION: _____

Accessory Data Sheet
 Housed Spring
 Isolator
 Floor Mounted
 2" Deflection



DIMENSION DATA

L.C. Model	Manuf	Manuf Model	Rated Deflect	Rated Load	Spr. Rate (lbs/in)	A Length	B Centerline	C Slot/Hole Width	D Width	E Op. Height	F Bolt	Ship Wt.
HF2-135	KNC	FHS-2-135	2	135	68	10-3/8	8-7/8	11/16	5	9-5/16	1/2	26
HF2-225	KNC	FHS-2-225	2	225	113	10-3/8	8-7/8	11/16	5	9-5/16	1/2	26
HF2-375	KNC	FHS-2-375	2	375	188	10-3/8	8-7/8	11/16	5	9-5/16	1/2	26
HF2-500	KNC	FHS-2-500	2	500	250	10-3/8	8-7/8	11/16	5	9-5/16	1/2	26
HF2-750	KNC	FHS-2-750	2	750	375	10-3/8	8-7/8	11/16	5	9-5/16	1/2	26
HF2-875	KNC	FHS-2-875	2	875	438	10-3/8	8-7/8	11/16	5	9-5/16	1/2	26
HF2-1120	KNC	FHS-2-1120	2	1120	560	10-3/8	8-7/8	11/16	5	9-5/16	1/2	27
HF2-1400	KNC	FHS-2-1400	2.01	1400	697	10-3/8	8-7/8	11/16	5	9-5/16	1/2	27
HF2-1600	KNC	FHS-2-1600	2	1600	800	10-3/8	8-7/8	11/16	5	9-5/16	1/2	27
HF2-2500	KNC	FHS-2-2500	2	2500	1250	11-1/2	9-3/4	1-1/16	6	11-3/8	3/4	50
HF2-3500	KNC	FHS-2-3500	2	3500	1750	11-1/2	9-3/4	1-1/16	6	11-3/8	3/4	50

ALL DIMENSIONS IN INCHES. WEIGHTS IN LBS.

ALL ISOLATORS LISTED ARE DESIGNED TO PROVIDE A MINIMUM OF 50% OVERLOAD CAPACITY,