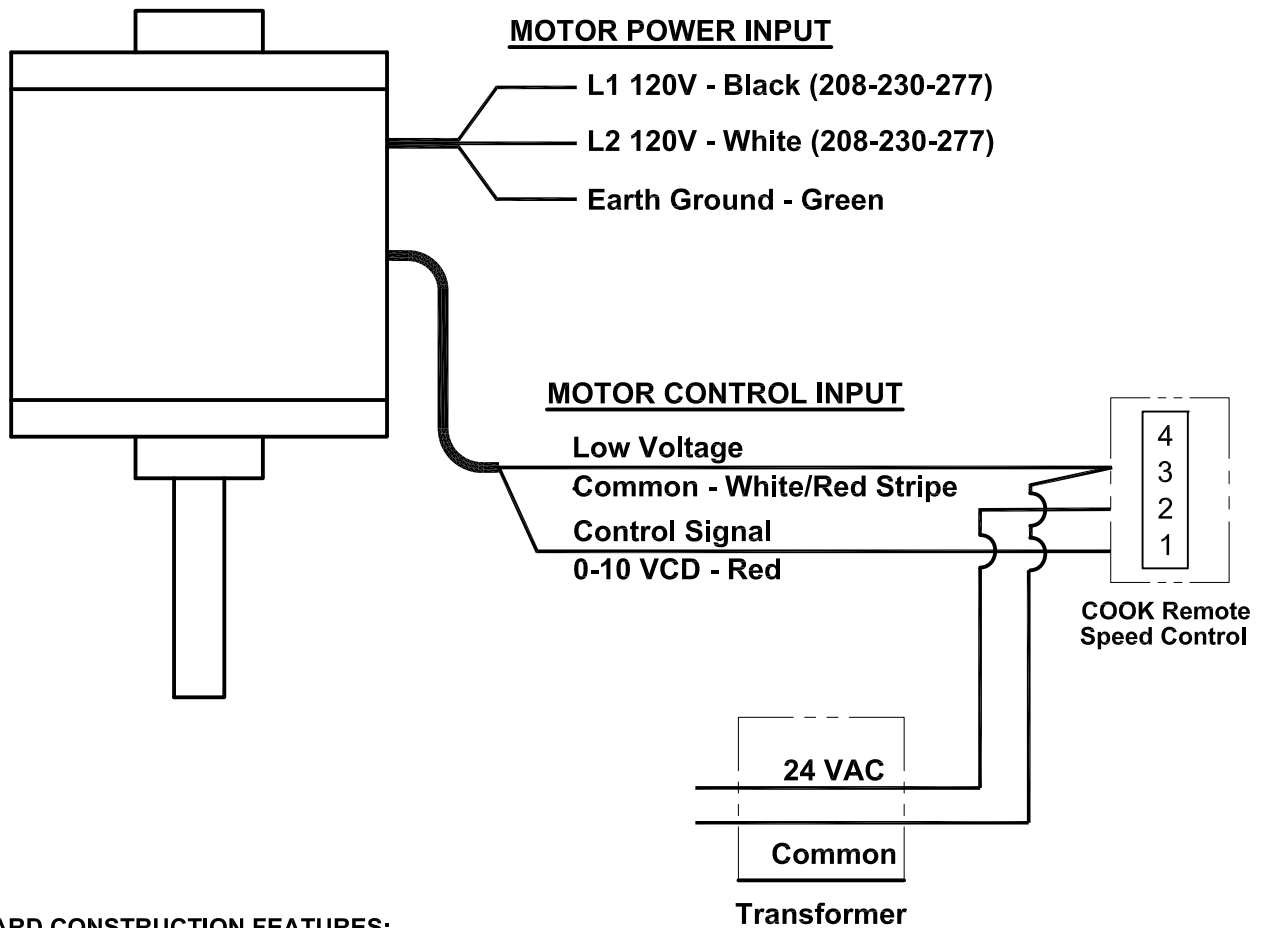


DATE: _____

PROJECT: _____

LOCATION: _____

Accessory Data Sheet
Fan Mounted Speed Control
Electronically Commutated (EC) Motor
Type R



STANDARD CONSTRUCTION FEATURES:

Single phase applications have an adjustable speed range of 350 to 1725 - Factory mounted speed control for adjusting motor speed -