

DATE: _____

PROJECT: _____

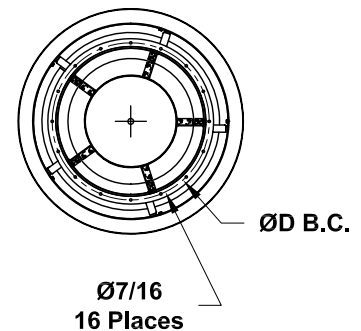
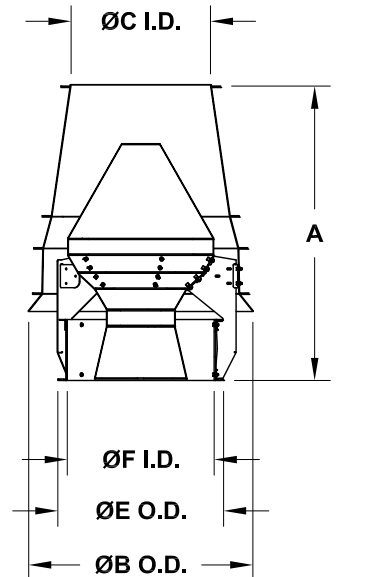
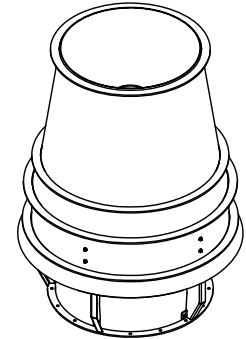
LOCATION: _____

DIMENSION DATA

Size	Windband Size	A	B	C	D	E	F	Unit Wt.
90	12	28-5/16	20	11-7/8	14-3/8	15-7/8	12-11/16	47
	13	28-5/16	22-3/16	13-3/16	14-3/8	15-7/8	12-11/16	47
	15	28-5/16	24-7/16	14-1/2	14-3/8	15-7/8	12-11/16	47
120	16	37-3/4	26-11/16	15-7/8	18-9/16	20-1/16	16-15/16	75
	18	37-3/4	29-9/16	17-9/16	18-9/16	20-1/16	16-15/16	75
	19	37-3/4	32-9/16	19-5/16	18-9/16	20-1/16	16-15/16	75
135	18	42-1/2	30	17-13/16	20-3/4	22-1/4	19-1/16	94
	20	42-1/2	33-5/16	19-13/16	20-3/4	22-1/4	19-1/16	94
	22	42-1/2	36-11/16	21-3/4	20-3/4	22-1/4	19-1/16	94
150	20	42-3/8	32-1/4	20-1/16	22-7/8	24-3/8	21-1/8	102
	22	42-3/8	35-5/16	22-5/16	22-7/8	24-3/8	21-1/8	102
	25	42-3/8	38-5/16	24-9/16	22-7/8	24-3/8	21-1/8	102
165	22	46-5/8	35-1/2	22-1/16	25	26-1/2	23-1/4	105
	25	46-5/8	38-7/8	24-1/2	25	26-1/2	23-1/4	105
	27	46-5/8	42-1/8	27	25	26-1/2	23-1/4	105
180	24	50-7/8	38-11/16	24-1/16	27-1/8	28-5/8	25-3/8	123
	27	50-7/8	42-3/8	26-3/4	27-1/8	28-5/8	25-3/8	123
	29	50-7/8	46	29-1/2	27-1/8	28-5/8	25-3/8	123
202	27	57-3/16	43-9/16	27-1/16	30-1/4	31-3/4	28-9/16	146
	30	57-3/16	47-11/16	30-1/8	30-1/4	31-3/4	28-9/16	146
	33	57-3/16	51-3/4	33-3/16	30-1/4	31-3/4	28-9/16	146
225	30	63-9/16	48-3/8	30-1/8	33-7/16	34-15/16	31-3/4	235
	33	63-9/16	53	33-7/16	33-7/16	34-15/16	31-3/4	235
	37	63-9/16	57-1/2	36-13/16	33-7/16	34-15/16	31-3/4	235
245	33	69-3/16	52-11/16	32-3/4	36-1/4	37-3/4	34-9/16	296
	36	69-3/16	57-11/16	36-7/16	36-1/4	37-3/4	34-9/16	296
	40	69-3/16	62-9/16	40-1/8	36-1/4	37-3/4	34-9/16	296
270	35	60-5/8	54-5/16	35-1/4	39-13/16	41-5/16	38-1/16	405
	39	60-5/8	60-5/16	39-3/16	39-13/16	41-5/16	38-1/16	405
	43	60-5/8	66-3/8	43-1/16	39-13/16	41-5/16	38-1/16	405
300	39	67-3/8	60-3/8	39-3/16	44	45-1/2	42-5/16	433
	44	67-3/8	67	43-1/2	44	45-1/2	42-5/16	433
	48	67-3/8	73-3/4	47-7/8	44	45-1/2	42-5/16	433
330	43	74-1/8	66-3/8	43-1/16	48-1/4	49-3/4	46-1/2	570
	48	74-1/8	73-11/16	47-7/8	48-1/4	49-3/4	46-1/2	570
	53	74-1/8	81-1/8	52-11/16	48-1/4	49-3/4	46-1/2	570
365	48	81-15/16	73-7/16	47-5/8	53-1/4	54-3/4	51-7/16	701
	53	81-15/16	81-9/16	52-15/16	53-1/4	54-3/4	51-7/16	701
	58	81-15/16	89-3/4	58-1/4	53-1/4	54-3/4	51-7/16	701
402	53	90-3/8	80-15/16	52-9/16	58-7/16	59-15/16	56-3/4	912
	58	90-3/8	89-15/16	58-3/8	58-7/16	59-15/16	56-3/4	912
	64	90-3/8	98-15/16	64-1/4	58-7/16	59-15/16	56-3/4	912
445	58	99-15/16	89-1/2	58-1/8	64-9/16	66-1/16	62-3/4	1101
	65	99-15/16	99-3/8	64-9/16	64-9/16	66-1/16	62-3/4	1101
	71	99-15/16	109-3/8	71	64-9/16	66-1/16	62-3/4	1101
490	63	110	98-9/16	62-11/16	70-7/8	72-3/8	69-1/16	1150
	70	110	109-7/16	69-5/8	70-7/8	72-3/8	69-1/16	1150
	77	110	120-7/16	76-5/8	70-7/8	72-3/8	69-1/16	1150
540	71	121-1/4	108-5/8	70-1/2	77-15/16	79-7/16	76-1/8	1275
	78	121-1/4	120-5/8	78-3/8	77-15/16	79-7/16	76-1/8	1275
	86	121-1/4	132-3/4	86-3/16	77-15/16	79-7/16	76-1/8	1275
600	78	134-3/4	120-11/16	78-5/16	86-3/8	87-7/8	84-5/8	1450
	87	134-3/4	134	87-1/16	86-3/8	87-7/8	84-5/8	1450
	96	134-3/4	147-1/2	95-3/4	86-3/8	87-7/8	84-5/8	1450

ALL DIMENSIONS IN INCHES. WEIGHTS IN LBS.

**Double Concentric
Accelerator
Aluminum Construction
Nozzle and Windband
Sizes 90-600**

 All sizes available in:
 Low Dilution
 Medium Dilution
 High Dilution


X1234R00