



COOK

CA-4/CF-4

Swing Out Centrifugal Blowers

SUPPLEMENTAL INSTALLATION INSTRUCTIONS

This publication contains the supplemental installation instructions for standard units of the *CA-4/CF-4 Swing Out Centrifugal Blowers*. Carefully read this publication, as well as the *CA/CF/CP Installation, Operation, and Maintenance manual*, prior to any installation or maintenance procedure.

Loren Cook catalog, *CA and CF*, provides additional information describing the equipment, fan performance, available accessories, and specification data.

For additional safety information, refer to AMCA publication 410-96, *Safety Practices for Users and Installers of Industrial and Commercial Fans*.

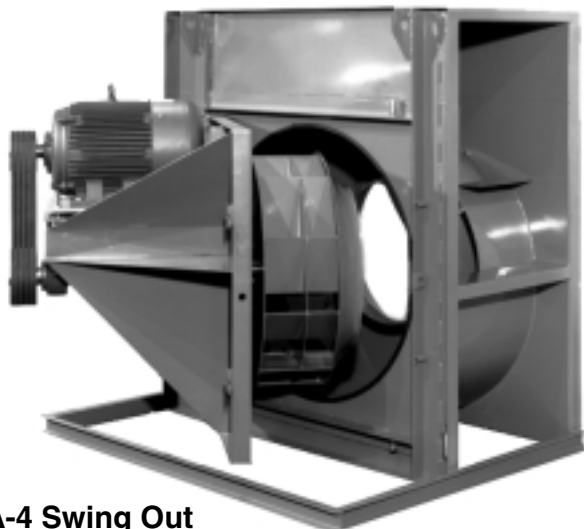
All of the publications listed above can be obtained from Loren Cook Company by phoning 417/869-6474, extension 166; by FAX at 417/832-9431; or by e-mail at info@loren-cook.com.

For information on special equipment, contact Loren Cook Company Customer Service Department at 417/869-6474.

Swing Out Door

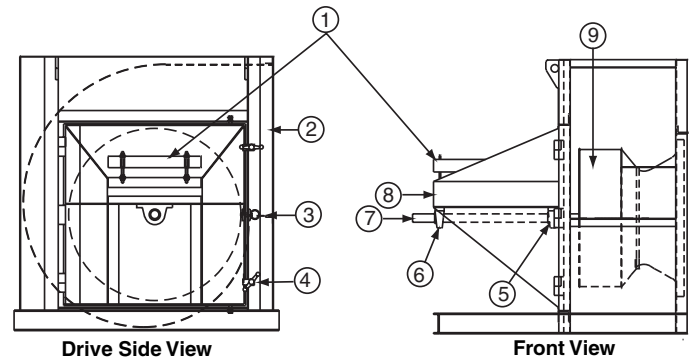
All moving parts that require maintenance are mounted on a hinged door that opens to provide easy access.

- Disconnect power to the unit.
- Clear area around door to allow it to swing open.
- Remove locking pin(s) from door (door latches may have to be loosened slightly).
- Loosen restraining bolts located at the top and bottom of door.
- Loosen and remove door latches in steps to insure even opening of door.
- Pull door open.
- Reverse the steps above to close door.



CA-4 Swing Out

CA-4/CF-4 Swing Out Parts List



Part No.	Description
	Sizes 210-490
1	Motor Plate
2	Housing
3	Door Locking Pin
4	Door Latch Handle
5	Inboard Bearing
6	Outboard Bearing
7	Shaft
8	Bearing Support/Door Assembly
9	Wheel
Parts Not Shown	
	Motor
	Motor Sheave
	Inlet Cone
	Fan Sheave
	Belt Set